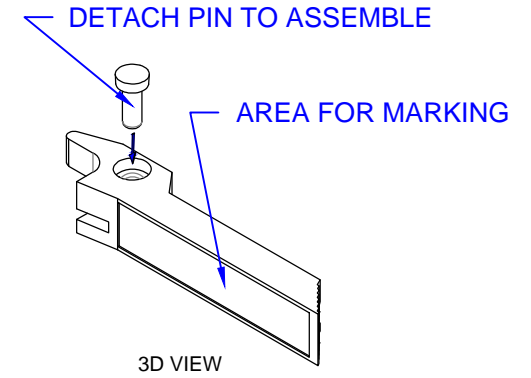
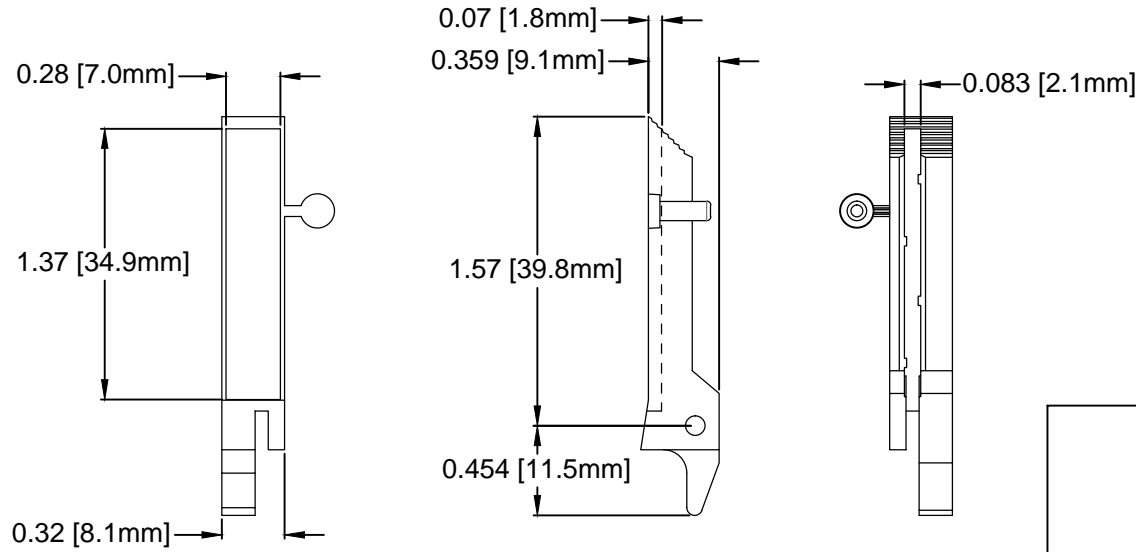
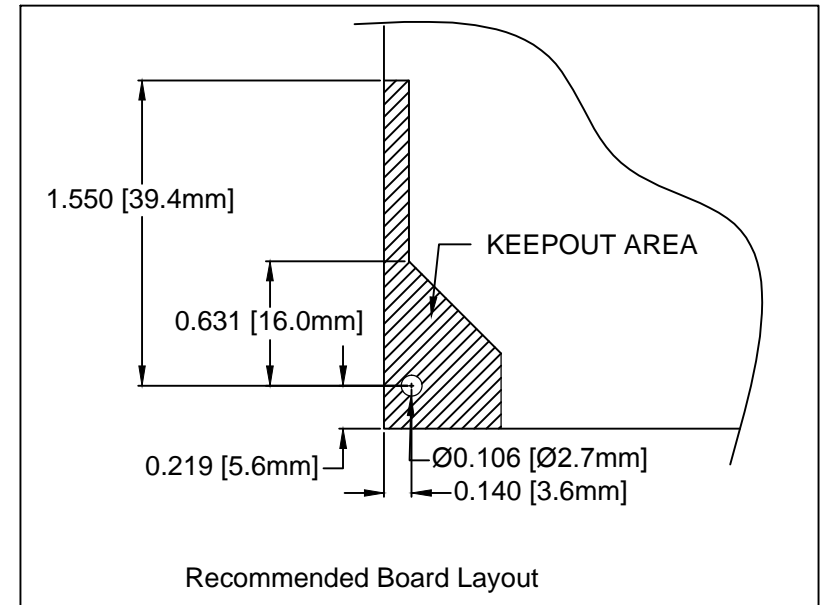


| REV. | DESCRIPTION | DATE | APPROVED |
|------|----------------------|----------|----------|
| A | Engineering Release. | 07/25/14 | J. C. |
| | | | |
| | | | |
| | | | |



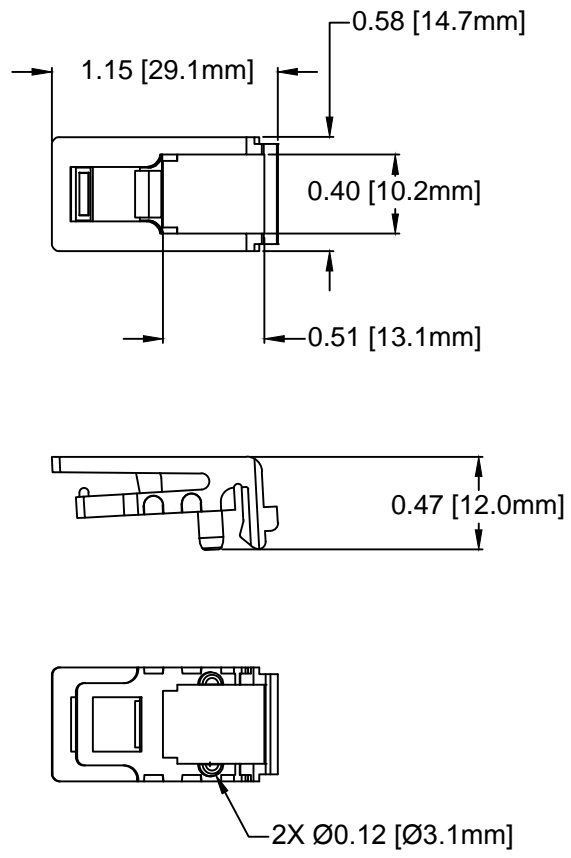
Card Ejector with Attached Pin



Recommended Board Layout

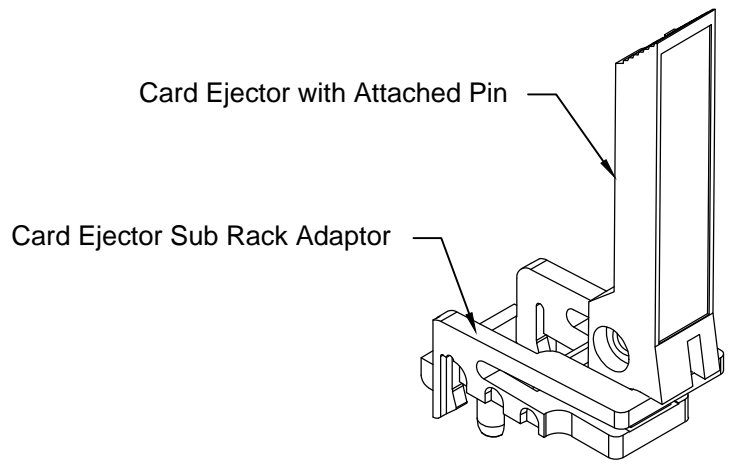
| | | | |
|--|---------|--|---|
| STANDARD TOLERANCE (UNLESS OTHERWISE SPECIFIED) | | BIVAR [®] 4 THOMAS, IRVINE, CA. 92618 TEL: (949) 951-8808 FAX: (949) 951-3974 | |
| DECIMALS | ANGULAR | | |
| X ± .1 | X° ± 1° | TITLE: CARD EJECTOR WITH ATTACHED PIN, TOP PART NO: CPCP-CP-T REVISION: A | |
| .XX ± .02 | | | |
| .XXX ± .010 | | DESIGNED: Brian Oliver DATE: 07/24/14 | CAGE CODE : 32559 SHEET # 1 OF 2 |
| | | CHECKED: A. Wright DATE: 07/24/14 | REVISION: A CAD GENERATED DOCUMENT, DO NOT MEASURE DRAWING. |

| REV. | DESCRIPTION | DATE | APPROVED |
|------|----------------------|----------|----------|
| A | Engineering Release. | 07/25/14 | J. C. |
| | | | |
| | | | |
| | | | |


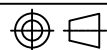


Card Ejector Sub Rack Adaptor

FOR USE WITH VME CARD GUIDES:
 CPCI-160
 CPCI-220
 CPCI-VXXX



Card Ejector Sub Rack Adaptor and Card Ejector with Attached Pin Packaged Together

| | | | | | |
|--|---------|---|--|--------------------------|---------------------------|
| STANDARD TOLERANCE (UNLESS OTHERWISE SPECIFIED) | |  4 THOMAS, IRVINE, CA. 92618 TEL: (949) 951-8808 FAX: (949) 951-3974 | | | |
| DECIMALS | ANGULAR | | | | |
| .X ± .1 | X° ± 1° |  | TITLE: CARD EJECTOR WITH ATTACHED PIN, TOP | | |
| .XX ± .02 | | | DESIGNED: Brian Oliver | DATE: 07/24/14 | PART NO: CPCI-CP-T |
| .XXX ± .010 | | CHECKED: A. Wright | DATE: 07/24/14 | CAGE CODE : 32559 | SHEET # 2 OF 2 |
| CAD GENERATED DOCUMENT, DO NOT MEASURE DRAWING. | | | | | |