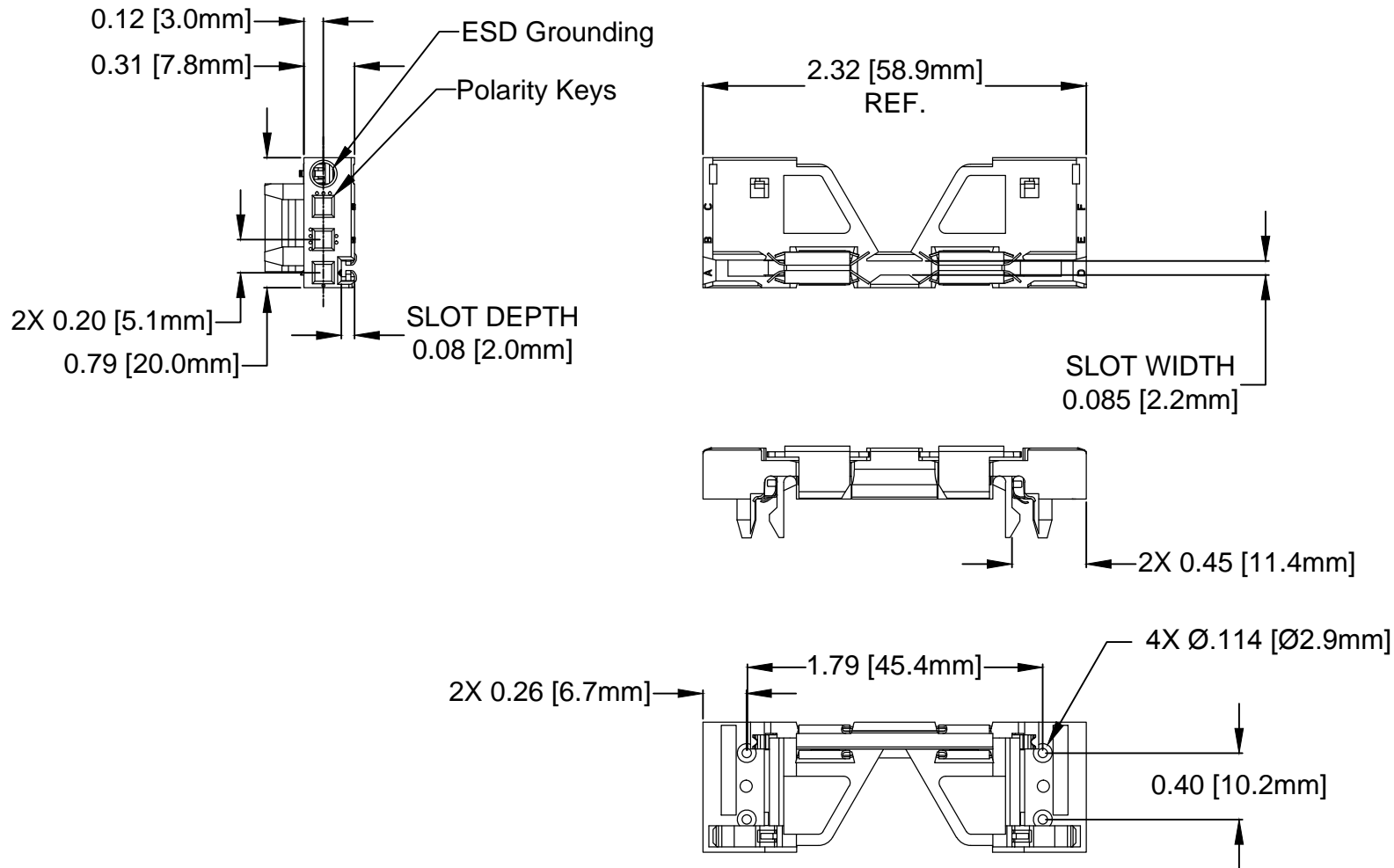



ITEM	Q'TY	PART NUMBER	PART DESCRIPTION
1	1	CPCI-80	80mm Card Guide, Grey
2	X	CPCI-ESD1	CPCI ESD Clips, PCB Grounding, SEE SHEET 2 TABLE 1
3	X	CPCI-ESD2	CPCI ESD Clips, Extractor Grounding, SEE SHEET 2 TABLE 1

REV.	DESCRIPTION	DATE	APPROVED
B	Engineering Release.	11/20/14	J. C.

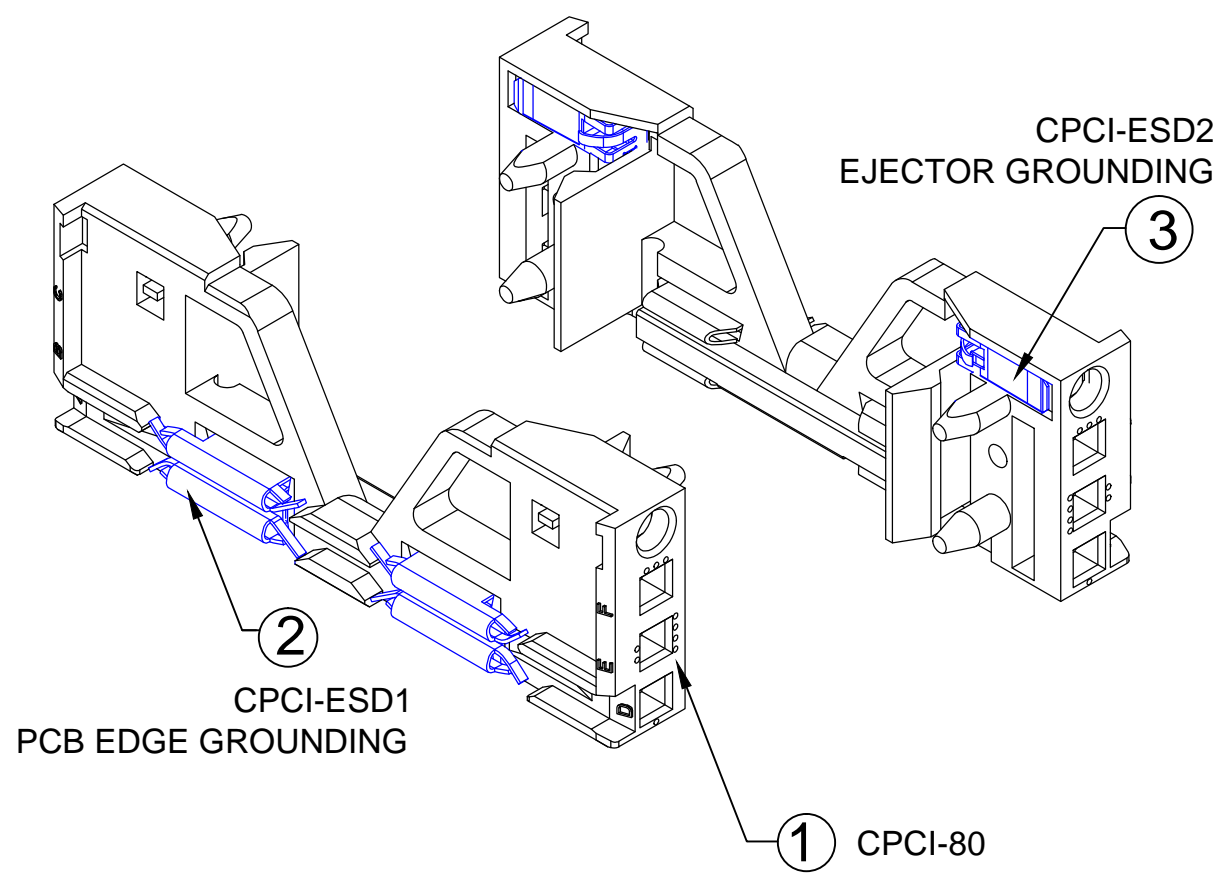


2. MATERIAL: POLYCARBONATE, 20% GLASS FILLED

1. GENERAL SPECIFICATIONS: BIVAR MOLDED COMPONENT SPECIFICATION BV00-E101.

STANDARD TOLERANCE (UNLESS OTHERWISE SPECIFIED)		 BIVAR [®] 4 THOMAS, IRVINE, CA. 92618 TEL: (949) 951-8808 FAX: (949) 951-3974	
DECIMALS	ANGULAR		
.X ± .1	X° ± 1°	TITLE: 80mm CPCI CARD GUIDE WITH ESD CLIPS PART NO: CPCI-80-ESDXX REVISION: B	
.XX ± .01			
.XXX ± .005			
DESIGNED: Alex Wright	DATE: 08/21/14	CAGE CODE : 32559 SHEET # 1 OF 2	
CHECKED: Brian Oliver	DATE: 08/21/14	CAD GENERATED DOCUMENT, DO NOT MEASURE DRAWING.	

REV.	DESCRIPTION	DATE	APPROVED
	SEE SHEET #1		



**TABLE 1
ASSEMBLY CONFIGURATIONS**

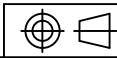
ASSEMBLY PART NUMBERS	ITEM	QTY		
CPCI-80-ESD1	2	2		
CPCI-80-ESD2	3	2		
CPCI-80-ESD12	2	3	2	2

NOTE: ESD CLIPS COME PRE-ASSEMBLED

STANDARD TOLERANCE (UNLESS OTHERWISE SPECIFIED)	
DECIMALS	ANGULAR
.X ± .1	X° ± 1°
.XX ± .01	
.XXX ± .005	



4 THOMAS, IRVINE, CA. 92618
TEL: (949) 951-8808 FAX: (949) 951-3974



TITLE: 80mm CPCI CARD GUIDE WITH ESD CLIPS

DESIGNED:
Alex Wright

DATE:
08/21/14

PART NO:
CPCI-80-ESDXX

REVISION:
B

CHECKED:
Brian Oliver

DATE:
08/21/14

CAGE CODE : 32559 SHEET # 2 OF 2
CAD GENERATED DOCUMENT, DO NOT MEASURE DRAWING.