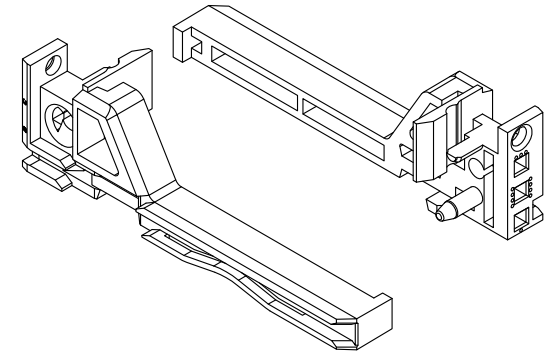
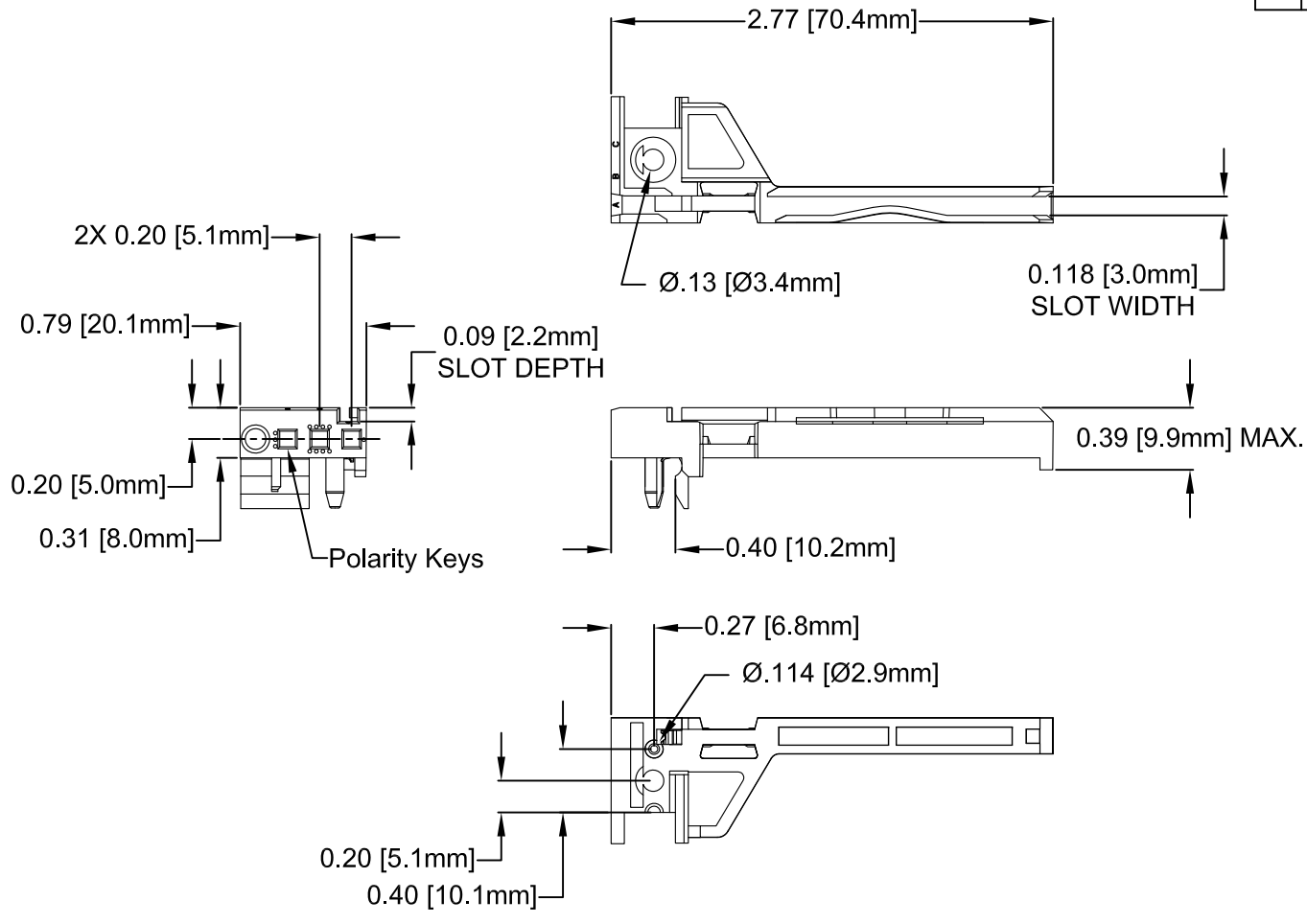



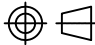
REV.	DESCRIPTION	DATE	APPROVED
B	Engineering Release.	11/20/14	J. C.



PART NUMBER	COLOR
CPCI-TG-B	GREY
CPCI-TGY-B	YELLOW

2. MATERIAL: POLYCARBONATE, 20% GLASS FILLED

1. GENERAL SPECIFICATIONS: BIVAR MOLDED COMPONENT SPECIFICATION BV00-E101.

STANDARD TOLERANCE (UNLESS OTHERWISE SPECIFIED)		 4 THOMAS, IRVINE, CA. 92618 TEL: (949) 951-8808 FAX: (949) 951-3974				
DECIMALS	ANGULAR					
.X ±.1	X° ± 1°		TITLE: TRANSITION CARD GUIDE BOTTOM			
.XX ±.01			DESIGNED: Alex Wright	DATE: 08/21/14	PART NO: CPCI-TGX-B	REVISION: B
.XXX ±.005			CHECKED: Brian Oliver	DATE: 08/21/14	CAGE CODE : 32559	SHEET # 1 OF 1