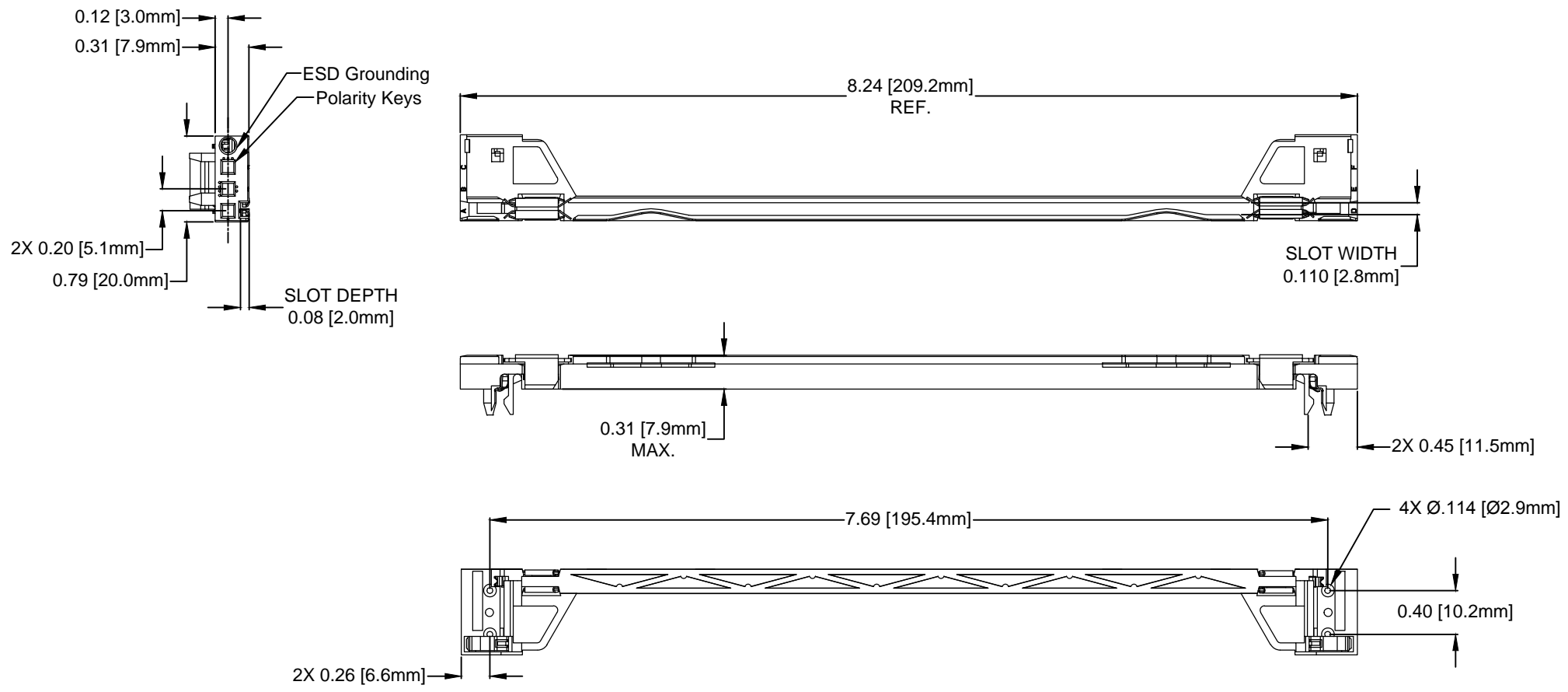



ITEM	QTY	PART NUMBER	PART DESCRIPTION
1	1	CPCI-220X	220mm Card Guide, SEE SHEET 2 TABLE 1
2	X	CPCI-ESD1	CPCI ESD Clips, PCB Grounding, SEE SHEET 2 TABLE 1
3	X	CPCI-ESD2	CPCI ESD Clips, Extractor Grounding, SEE SHEET 2 TABLE 1

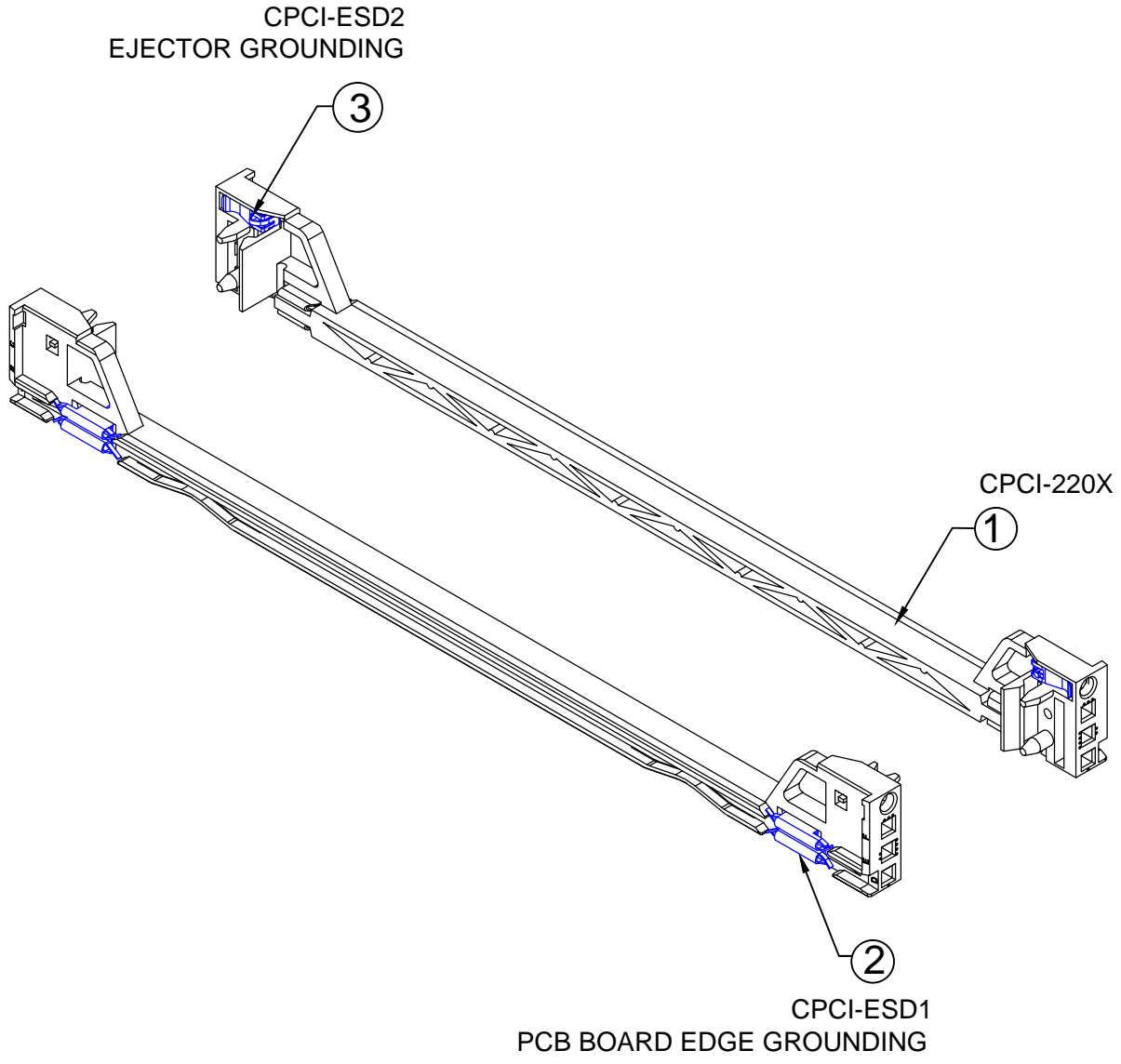
REV.	DESCRIPTION	DATE	APPROVED
B	Engineering Release.	11/20/14	J. C.



2. MATERIAL: POLYCARBONATE, GLASS FILLED 20%
 1. GENERAL SPECIFICATIONS: BIVAR MOLDED COMPONENT SPECIFICATION BV00-E101.

STANDARD TOLERANCE (UNLESS OTHERWISE SPECIFIED)		 4 THOMAS, IRVINE, CA. 92618 TEL: (949) 951-8808 FAX: (949) 951-3974	
DECIMALS	ANGULAR		
.X ± .1	X° ± 1°	TITLE: 220mm CPCI CARD GUIDE WITH ESD CLIPS PART NO: CPCI-220X-ESDXX REVISION: B	
.XX ± .01			
.XXX ± .005			
DESIGNED: Alex Wright	DATE: 08/21/14	CAGE CODE : 32559 SHEET # 1 OF 2	
CHECKED: Brian Oliver	DATE: 08/21/14	CAD GENERATED DOCUMENT, DO NOT MEASURE DRAWING.	


REV.	DESCRIPTION	DATE	APPROVED
	SEE SHEET #1		



**TABLE 1
ASSEMBLY CONFIGURATIONS**

ASSEMBLY PART NUMBERS	ITEM	QTY	CARD GUIDE COLOR
CPCI-220-ESD1	2	2	GREY
CPCI-220-ESD2	3	2	GREY
CPCI-220-ESD12	2 3	2 2	GREY
CPCI-220Y-ESD1	2	2	YELLOW
CPCI-220Y-ESD2	3	2	YELLOW
CPCI-220Y-ESD12	2 3	2 2	YELLOW
CPCI-220R-ESD1	2	2	RED
CPCI-220R-ESD2	3	2	RED
CPCI-220R-ESD12	2 3	2 2	RED
CPCI-220G-ESD1	2	2	GREEN
CPCI-220G-ESD2	3	2	GREEN
CPCI-220G-ESD12	2 3	2 2	GREEN

NOTE: ESD CLIPS COME PRE-ASSEMBLED

STANDARD TOLERANCE (UNLESS OTHERWISE SPECIFIED)		BIVAR [®] 4 THOMAS, IRVINE, CA. 92618 TEL: (949) 951-8808 FAX: (949) 951-3974	
DECIMALS	ANGULAR		
.X ± .1	X° ± 1°	 TITLE: 220mm CPCI CARD GUIDE WITH ESD CLIPS PART NO: CPCI-220X-ESDXX REVISION: B	
.XX ± .01			
.XXX ± .005			
DESIGNED: Alex Wright	DATE: 08/21/14	CAGE CODE : 32559	
CHECKED: Brian Oliver	DATE: 08/21/14	SHEET # 2 OF 2	
CAD GENERATED DOCUMENT, DO NOT MEASURE DRAWING.			