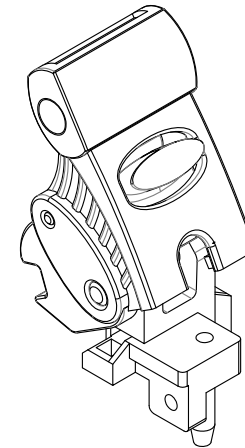
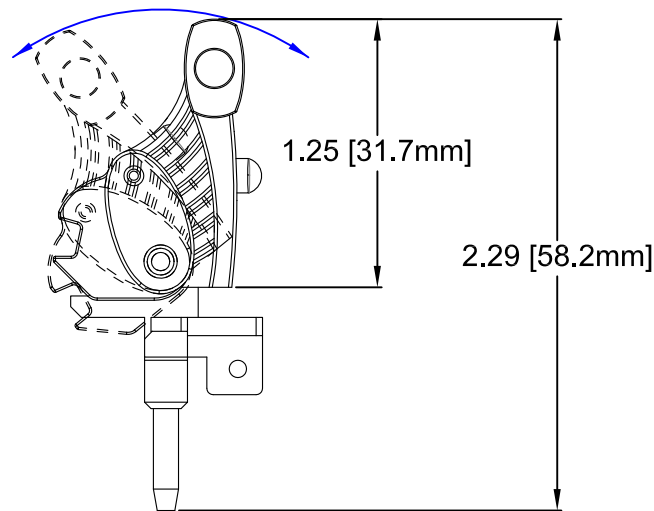
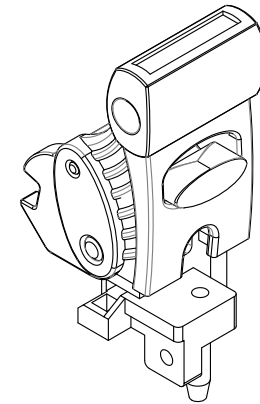


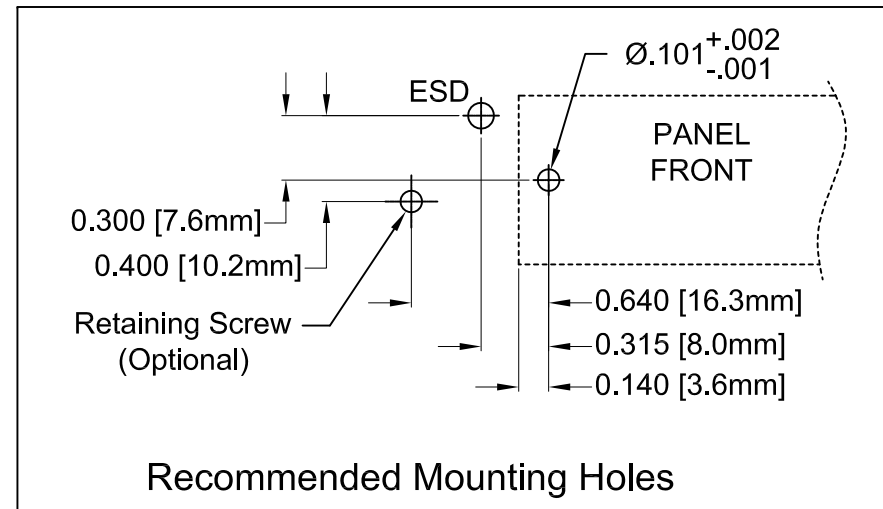
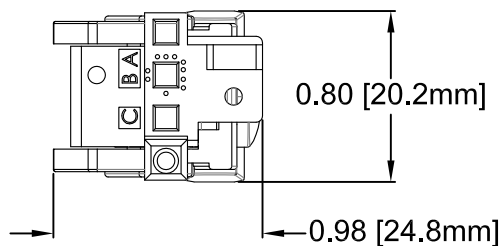
REV.	DESCRIPTION	DATE	APPROVED
D	Engineering Update w/out Changes.	08/21/14	J. C.



3D VIEW OPEN



3D VIEW LOCKED



NOTES:

1. Compliant with PICMG CPCI standard
2. Mounting screws shipped unassembled

STANDARD TOLERANCE (UNLESS OTHERWISE SPECIFIED)		 BIVAR [®] 4 THOMAS, IRVINE, CA. 92618 TEL: (949) 951-8808 FAX: (949) 951-3974	
DECIMALS	ANGULAR		
.X ± .1	X° ± 1°		
.XX ± .01		 TITLE: CPCI EJECTOR HANDLE TOP, STYLE E3	
.XXX ± .005			
DESIGNED: Brian Oliver	DATE: 08/21/14	PART NO: CPCI-E3-TNS	REVISION: D
CHECKED: A. Wright	DATE: 08/21/14	CAGE CODE: 32559	SHEET # 1 OF 1
CAD GENERATED DOCUMENT, DO NOT MEASURE DRAWING.			