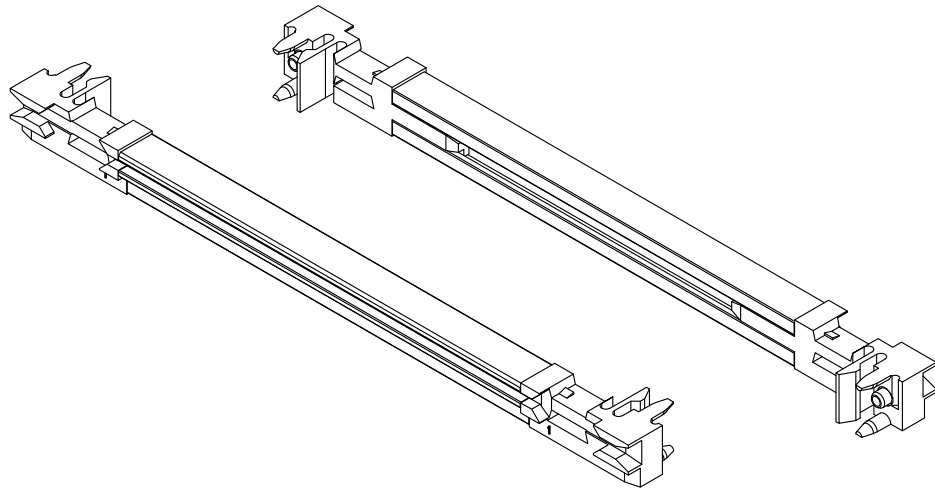
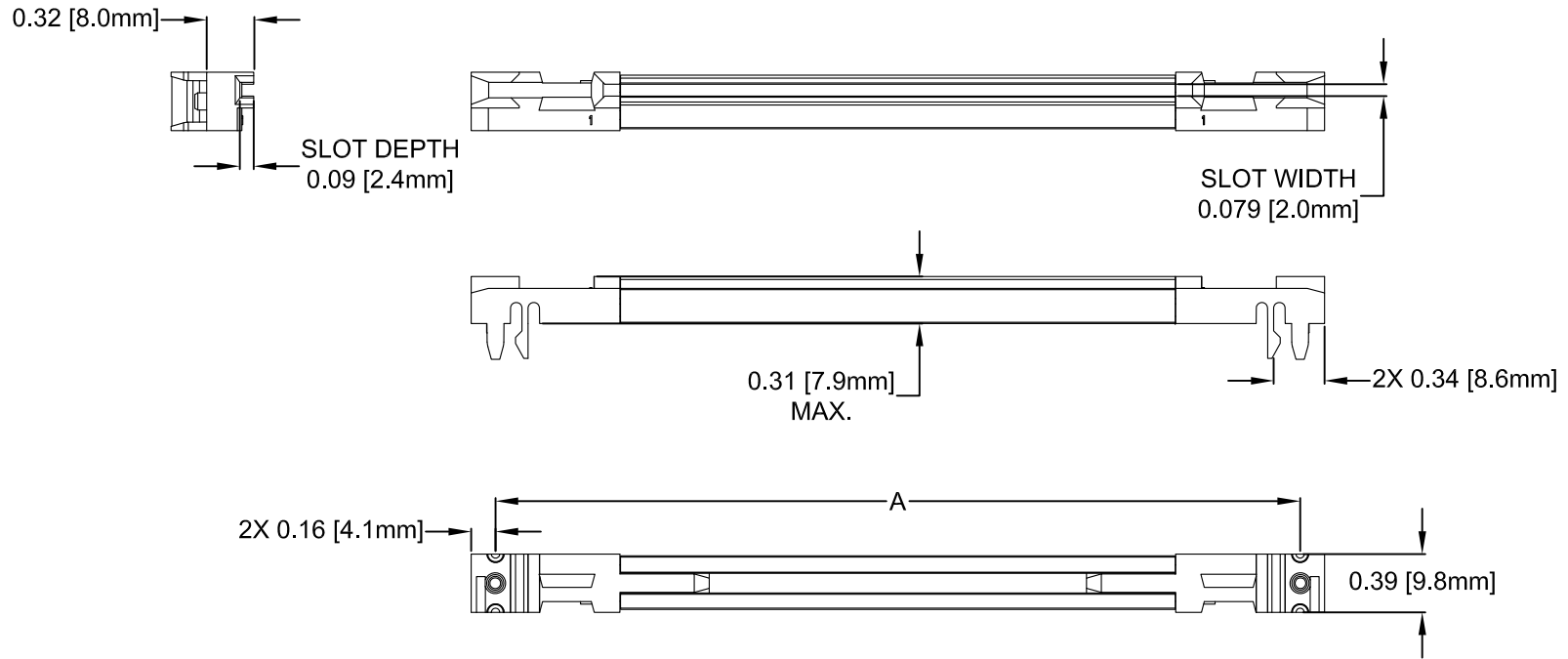




REV.	DESCRIPTION	DATE	APPROVED
B	Engineering Release.	11/21/14	J. C.



PART NUMBER	A in [mm]
CPCI-V160	5.32 [135.2]
CPCI-V220	7.69 [195.2]
CPCI-V280	10.04 [255.0]
CPCI-V340	12.43 [315.6]

- 2. MATERIAL: POLYCARBONATE, 20% GLASS FILLED & ALUMINUM BODY
- 1. GENERAL SPECIFICATIONS: BIVAR MOLDED COMPONENT SPECIFICATION BV00-E101.

STANDARD TOLERANCE (UNLESS OTHERWISE SPECIFIED)		 BIVAR [®] 4 THOMAS, IRVINE, CA. 92618 TEL: (949) 951-8808 FAX: (949) 951-3974	
DECIMALS	ANGULAR		
.X ±.1	X° ± 1°	 TITLE: VME METAL GUIDE	
.XX ±.01			
.XXX ±.005			
DESIGNED: Alex Wright	DATE: 07/03/14	PART NO: CPCI-VXXX	REVISION: B
CHECKED: Brian Oliver	DATE: 07/03/14	CAGE CODE : 32559	SHEET # 1 OF 1
CAD GENERATED DOCUMENT, DO NOT MEASURE DRAWING.			