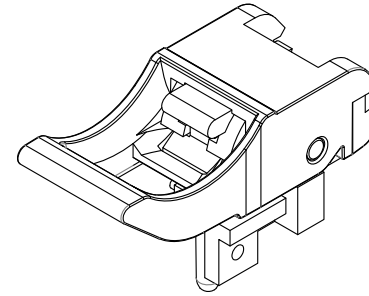
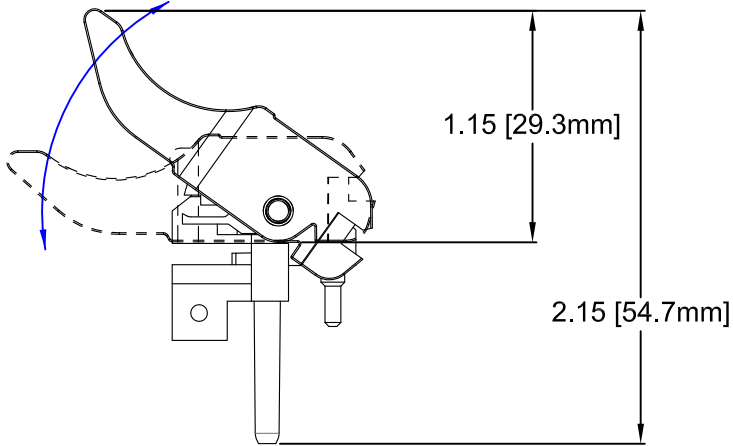
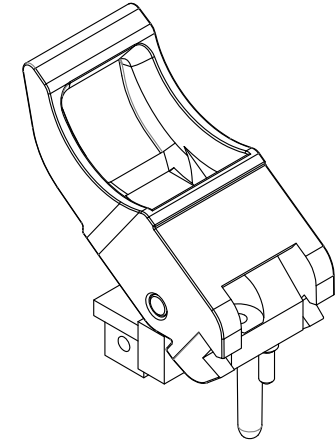


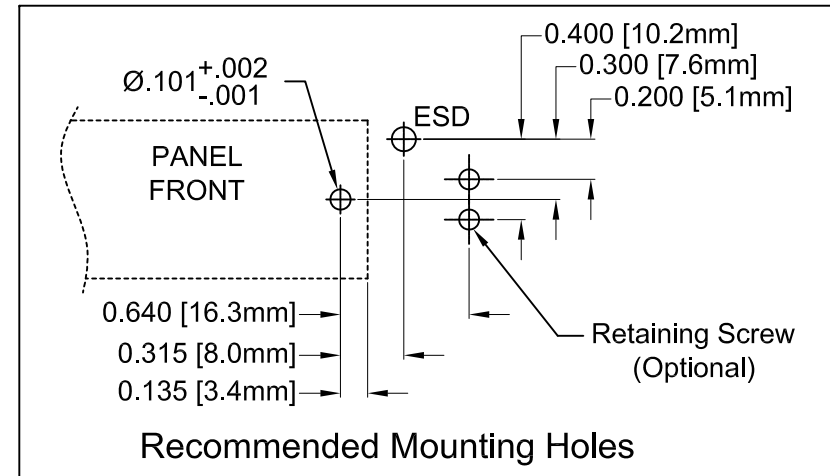
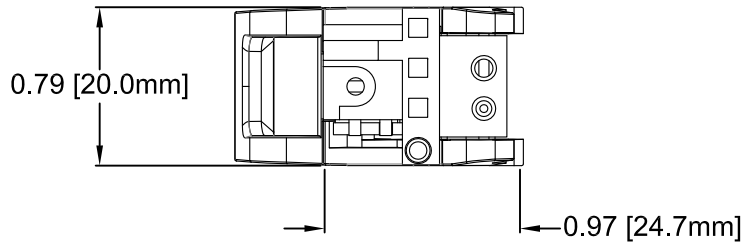
REV.	DESCRIPTION	DATE	APPROVED
A	Engineering Release.	06/26/14	J. C.



3D VIEW LOCKED


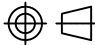


3D VIEW OPEN



NOTES:

1. Compliant with PICMG CPCI standard
2. Mounting screws shipped unassembled

STANDARD TOLERANCE (UNLESS OTHERWISE SPECIFIED)		 4 THOMAS, IRVINE, CA. 92618 TEL: (949) 951-8808 FAX: (949) 951-3974		
DECIMALS	ANGULAR			
.X ±.1	X° ± 1°		TITLE: CPCI EJECTOR HANDLE BOTTOM, STYLE E5	
.XX ±.01			PART NO: CPCI-E5-B	REVISION: A
.XXX ±.005			CAGE CODE : 32559	SHEET # 1 OF 1
DESIGNED: Brian Oliver	DATE: 06/26/14	DATE: 06/26/14	CAD GENERATED DOCUMENT, DO NOT MEASURE DRAWING.	