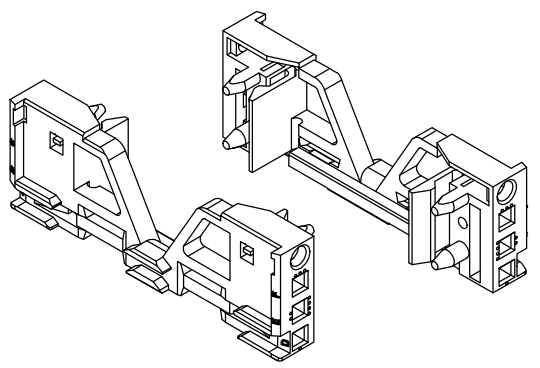
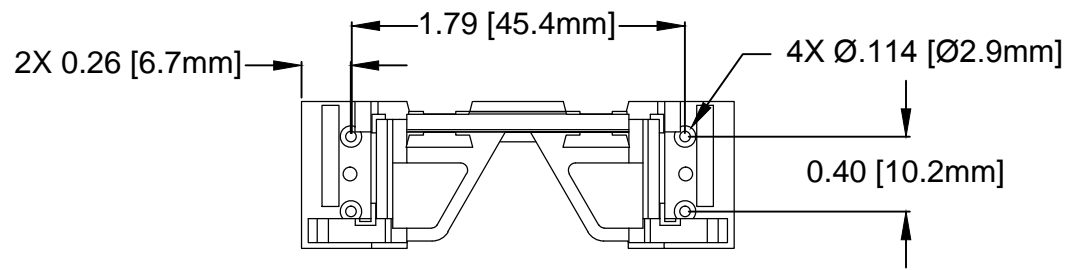
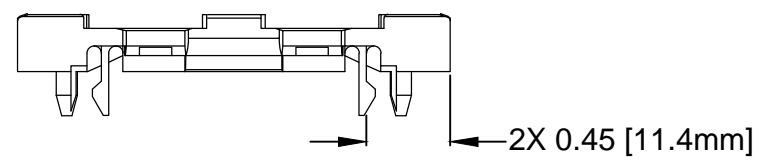
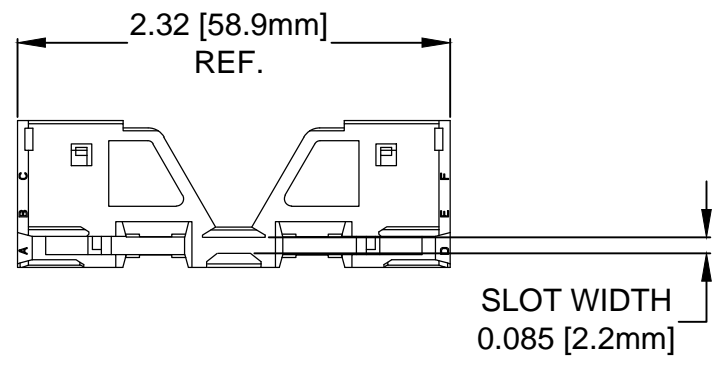
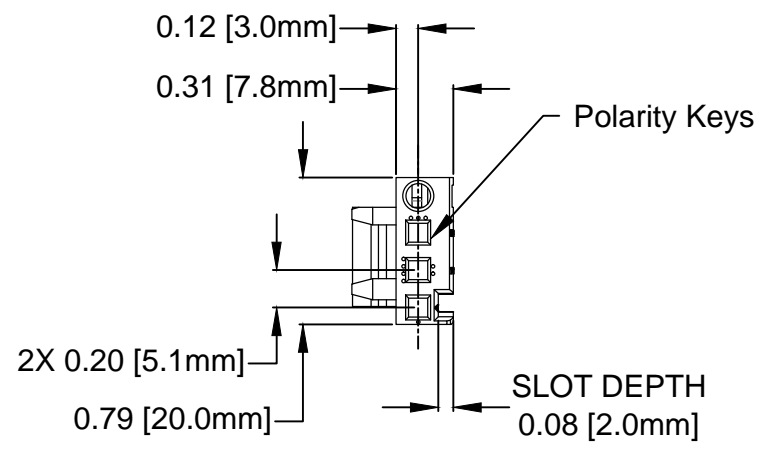



REV.	DESCRIPTION	DATE	APPROVED
B	Engineering Release.	11/20/14	J. C.



- 2. MATERIAL: POLYCARBONATE, 20% GLASS FILLED
- 1. GENERAL SPECIFICATIONS: BIVAR MOLDED COMPONENT SPECIFICATION BV00-E101.

STANDARD TOLERANCE (UNLESS OTHERWISE SPECIFIED)		 4 THOMAS, IRVINE, CA. 92618 TEL: (949) 951-8808 FAX: (949) 951-3974			
DECIMALS	ANGULAR				
.X ± .1	X° ± 1°	TITLE: 80mm COMPACT-PCI CARD GUIDE	REVISION: B		
.XX ± .01				DESIGNED: <b>Alex Wright</b>	DATE: <b>08/21/14</b>
.XXX ± .005				CHECKED: <b>Brian Oliver</b>	DATE: <b>08/21/14</b>
		PART NO: <b>CPCI-80</b>	SHEET # 1 OF 1		
CAD GENERATED DOCUMENT, DO NOT MEASURE DRAWING.					