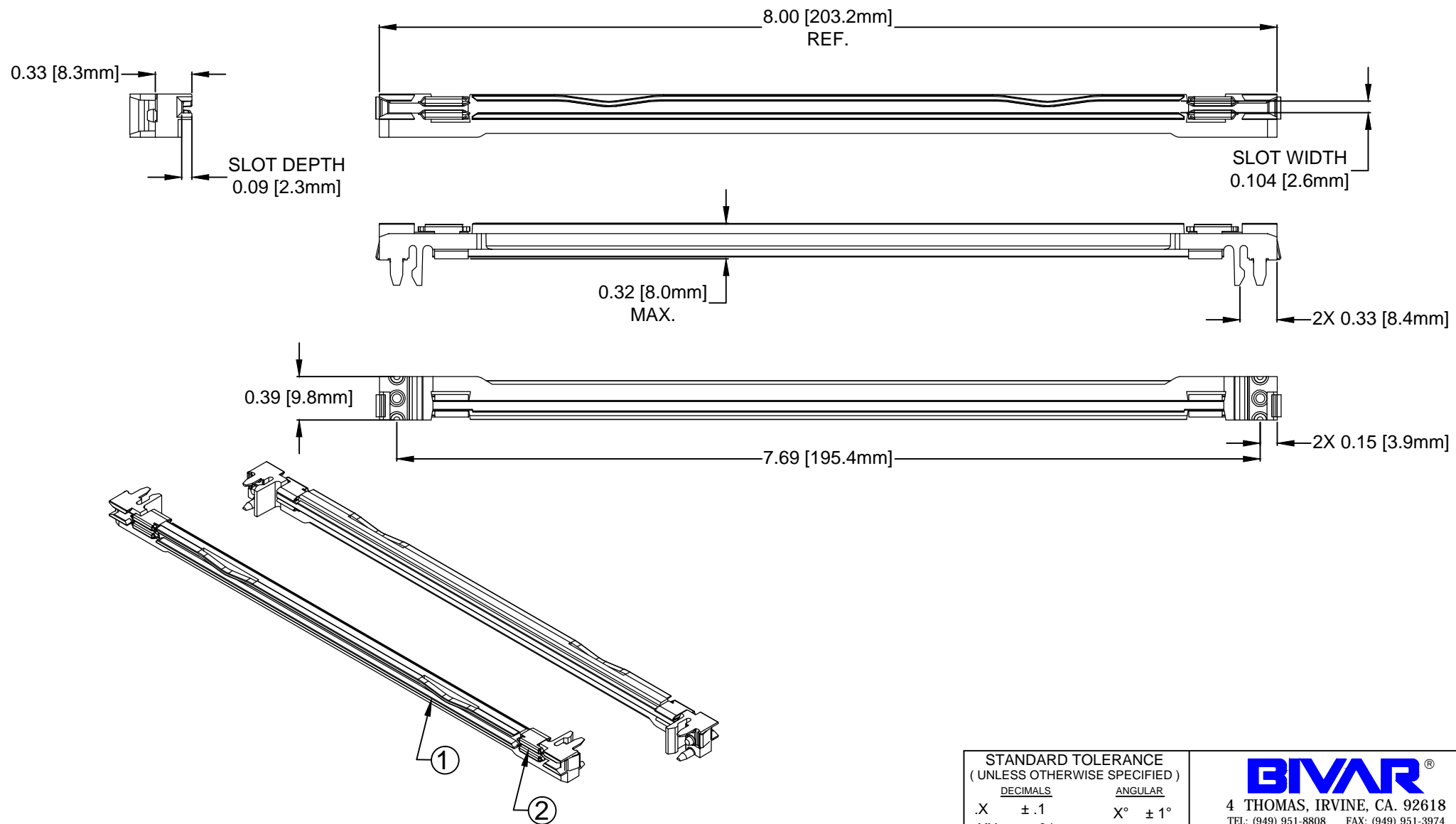

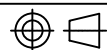


ITEM	Q'TY	PART NUMBER	PART DESCRIPTION
1	1	CPCI-MV220	Card Guide, Pre-Assembled with Aluminum Body
2	2	CPCI-ESD3	CPCI ESD Clips, PCB Grounding

REV.	DESCRIPTION	DATE	APPROVED
B	Engineering Release.	11/19/14	J. C.



- 3. ESD CLIPS ARE PRE-ASSEMBLED
- 2. MATERIAL: POLYCARBONATE, 20% GLASS FILLED & ALUMINUM BODY
- 1. GENERAL SPECIFICATIONS: BIVAR MOLDED COMPONENT SPECIFICATION BV00-E101.

STANDARD TOLERANCE (UNLESS OTHERWISE SPECIFIED)		 <b>BIVAR</b> <sup>®</sup> 4 THOMAS, IRVINE, CA. 92618 TEL: (949) 951-8808 FAX: (949) 951-3974		
DECIMALS	ANGULAR			
X ±.1	X° ± 1°		TITLE: VME CARD GUIDE	
.XX ±.01			PART NO: CPCI-MV220-ESD3	REVISION: B
.XXX ±.005			CAGE CODE : 32559	SHEET # 1 OF 1
DESIGNED: <b>Alex Wright</b>	DATE: <b>08/21/14</b>	CAD GENERATED DOCUMENT, DO NOT MEASURE DRAWING.		
CHECKED: <b>Brian Oliver</b>	DATE: <b>08/21/14</b>			