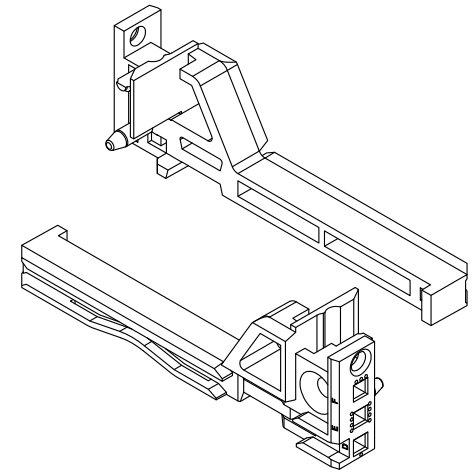
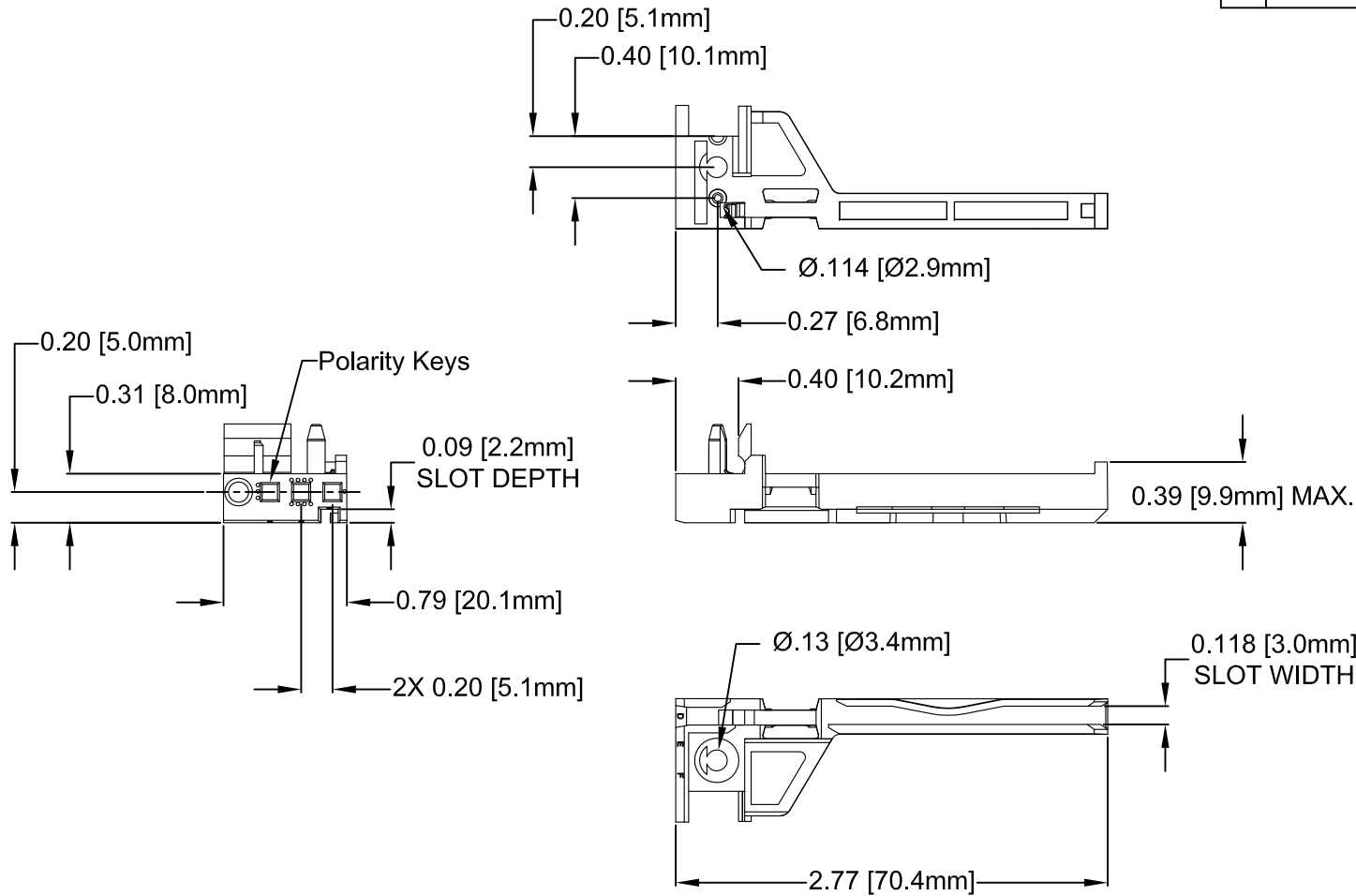



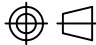
REV.	DESCRIPTION	DATE	APPROVED
B	Engineering Release.	11/20/14	J. C.



PART NUMBER	COLOR
CPCI-TG-T	GREY
CPCI-TGY-T	YELLOW

2. MATERIAL: POLYCARBONATE, 20% GLASS FILLED

1. GENERAL SPECIFICATIONS: BIVAR MOLDED COMPONENT SPECIFICATION BV00-E101.

STANDARD TOLERANCE (UNLESS OTHERWISE SPECIFIED)		 4 THOMAS, IRVINE, CA. 92618 TEL: (949) 951-8808 FAX: (949) 951-3974			
DECIMALS	ANGULAR				
.X ±.1	X° ± 1°				
.XX ±.01			TITLE: TRANSITION CARD GUIDE TOP		
.XXX ±.005			DESIGNED: Alex Wright	DATE: 08/21/14	PART NO: CPCI-TGX-T
CHECKED: Brian Oliver		DATE: 08/21/14	CAGE CODE : 32559	SHEET # 1 OF 1	
CAD GENERATED DOCUMENT, DO NOT MEASURE DRAWING.					