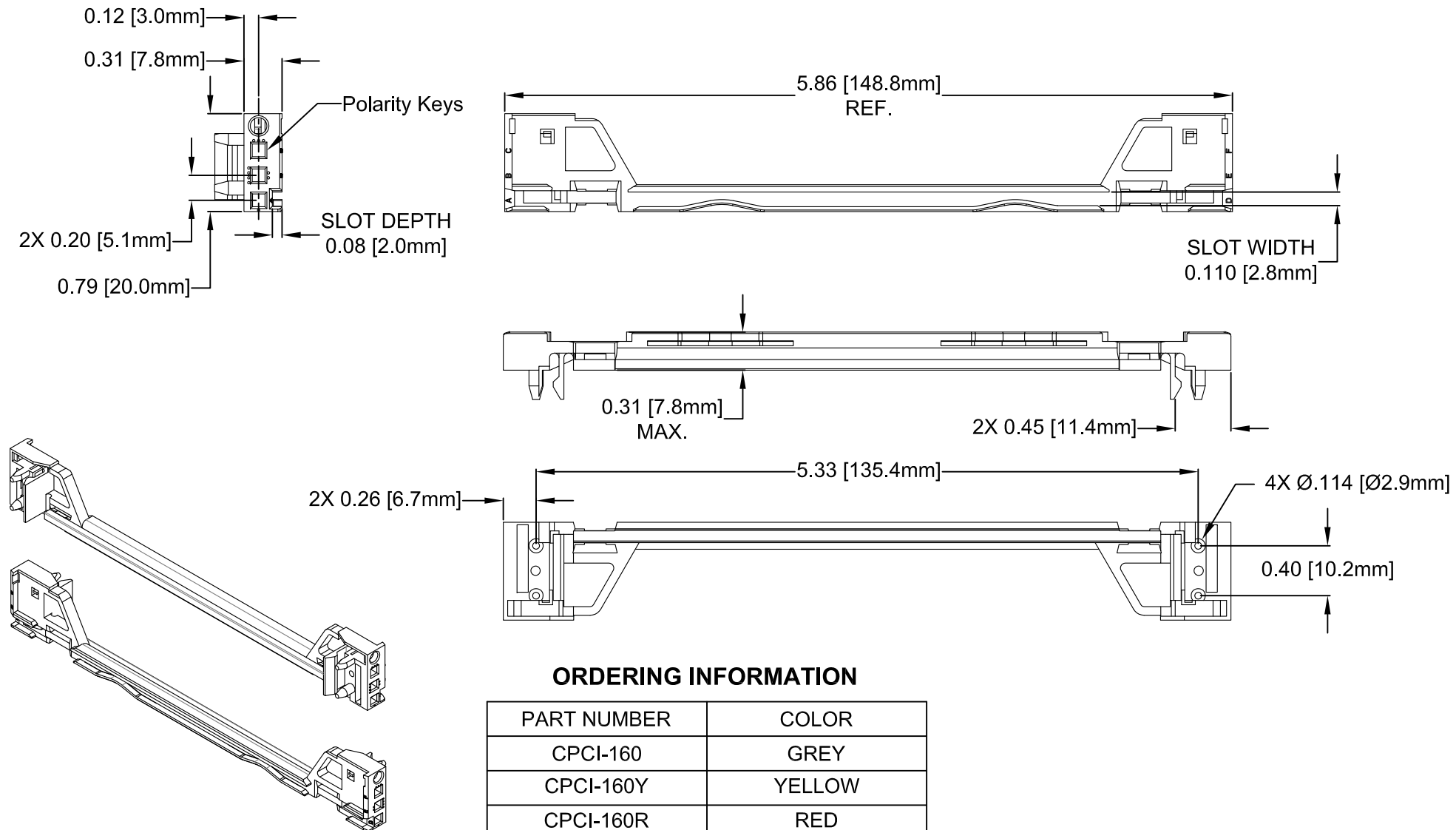


REV.	DESCRIPTION	DATE	APPROVED
B	Engineering Release.	11/20/14	J. C.



ORDERING INFORMATION

PART NUMBER	COLOR
CPCI-160	GREY
CPCI-160Y	YELLOW
CPCI-160R	RED
CPCI-160G	GREEN

2. MATERIAL: POLYCARBONATE, GLASS FILLED 20%

1. GENERAL SPECIFICATIONS: BIVAR MOLDED COMPONENT SPECIFICATION BV00-E101.

STANDARD TOLERANCE (UNLESS OTHERWISE SPECIFIED)		BIVAR®	
DECIMALS	ANGULAR	4 THOMAS, IRVINE, CA. 92618	
.X ±.1	X° ± 1°	TEL: (949) 951-8808 FAX: (949) 951-3974	
.XX ±.01		TITLE: 160mm COMPACT-PCI CARD GUIDE	
.XXX ±.005		PART NO: CPCI-160X	
DESIGNED: Alex Wright	DATE: 08/21/14	REVISION: B	
CHECKED: Brian Oliver	DATE: 08/21/14	CAGE CODE : 32559	SHEET # 1 OF 1
CAD GENERATED DOCUMENT, DO NOT MEASURE DRAWING.			