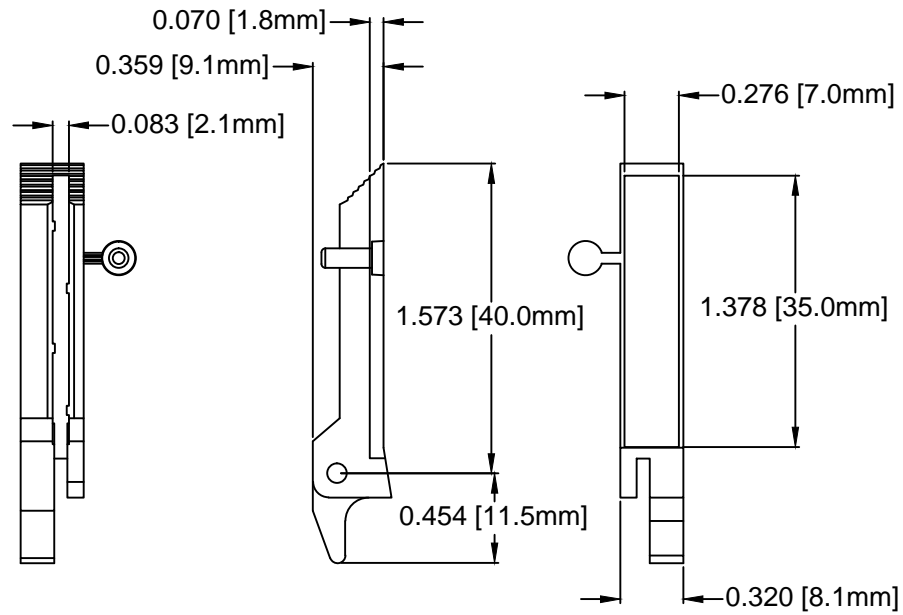
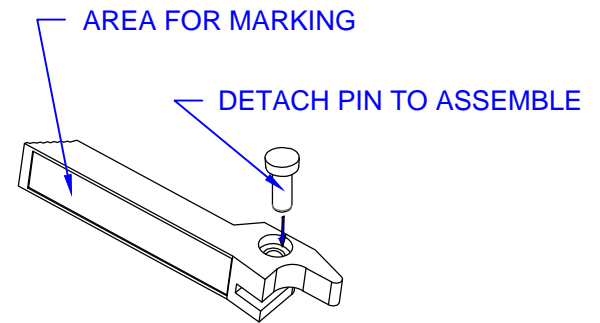


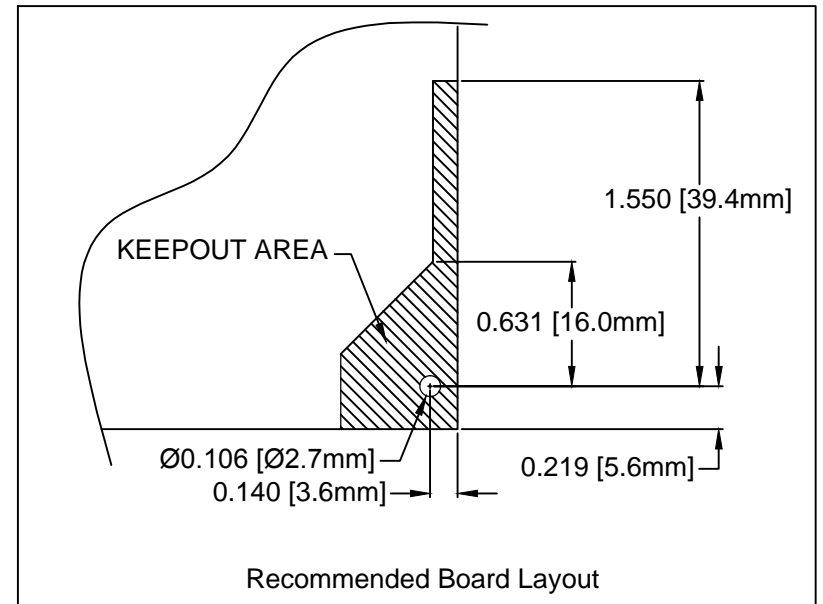
REV.	DESCRIPTION	DATE	APPROVED
A	Engineering Release.	07/25/14	J. C.



Card Ejector with Attached Pin

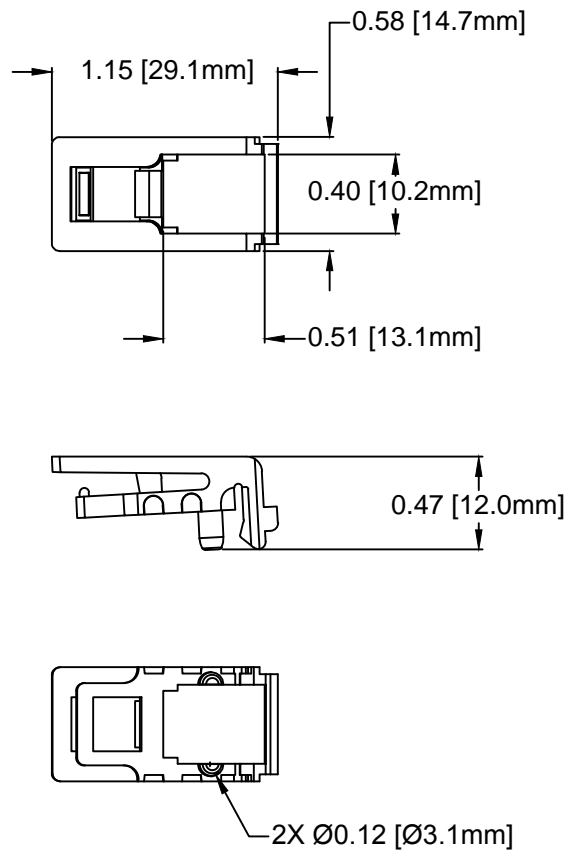


3D VIEW



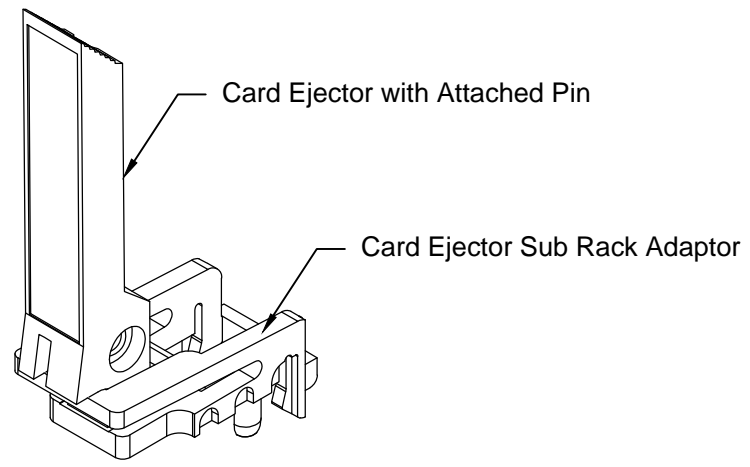
STANDARD TOLERANCE (UNLESS OTHERWISE SPECIFIED)		BIVAR [®] 4 THOMAS, IRVINE, CA. 92618 TEL: (949) 951-8808 FAX: (949) 951-3974	
DECIMALS	ANGULAR		
X ± .1	X° ± 1°	TITLE: CARD EJECTOR WITH ATTACHED PIN, BOTTOM REVISION: A	
.XX ± .02			
.XXX ± .010		DESIGNED: Brian Oliver DATE: 07/24/14	PART NO: CPCI-CP-B REVISION: A
CHECKED: A. Wright DATE: 07/24/14		CAGE CODE : 32559 SHEET # 1 OF 2	REVISION: A
CAD GENERATED DOCUMENT, DO NOT MEASURE DRAWING.			

REV.	DESCRIPTION	DATE	APPROVED
A	Engineering Release.	07/25/14	J. C.


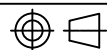


Card Ejector Sub Rack Adaptor

FOR USE WITH VME CARD GUIDES:
 CPCI-160
 CPCI-220
 CPCI-VXXX



Card Ejector Sub Rack Adaptor and Card Ejector with Attached Pin Packaged Together

STANDARD TOLERANCE (UNLESS OTHERWISE SPECIFIED)		 4 THOMAS, IRVINE, CA. 92618 TEL: (949) 951-8808 FAX: (949) 951-3974	
DECIMALS	ANGULAR		
X ± .1	X° ± 1°	 TITLE: CARD EJECTOR WITH ATTACHED PIN, BOTTOM	
.XX ± .02			
.XXX ± .010		PART NO: CPCI-CP-B REVISION: A	
DESIGNED: Brian Oliver	DATE: 07/24/14	CAGE CODE : 32559 SHEET # 2 OF 2	
CHECKED: A. Wright	DATE: 07/24/14	CAD GENERATED DOCUMENT, DO NOT MEASURE DRAWING.	