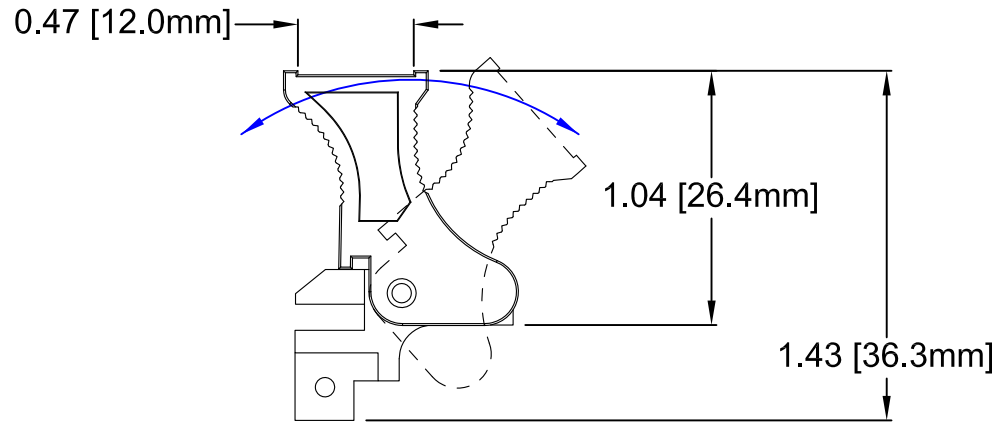
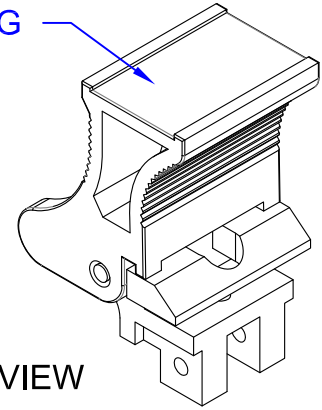


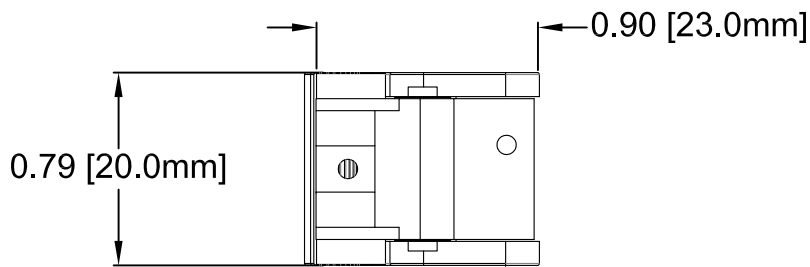
REV.	DESCRIPTION	DATE	APPROVED
A	Engineering Release.	07/18/14	J. C.



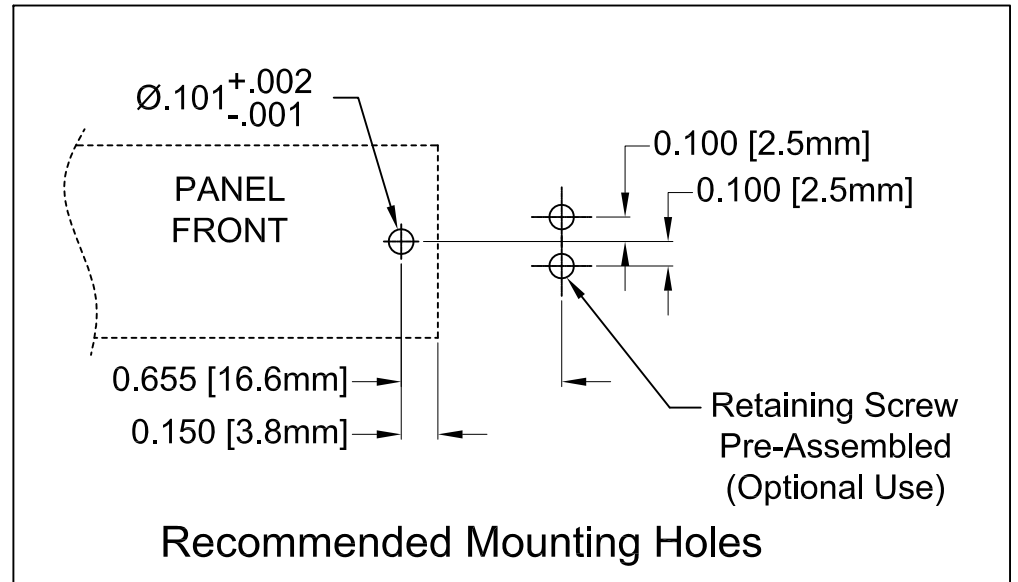
AREA FOR MARKING



3D VIEW




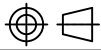
**ORDERING INFORMATION:**  
 CPCI-E7GY: GRAY COLOR  
 CPCI-E7BK: BLACK COLOR



Recommended Mounting Holes

**NOTES:**

1. Compliant with PICMG CPCI standard
2. Mounting screws shipped unassembled

STANDARD TOLERANCE (UNLESS OTHERWISE SPECIFIED)		 4 THOMAS, IRVINE, CA. 92618 TEL: (949) 951-8808 FAX: (949) 951-3974					
DECIMALS	ANGULAR						
.X ±.1	X° ± 1°		<b>TITLE:</b> CPCI EJECTOR HANDLE STYLE E7				
.XX ±.01				<b>DESIGNED:</b> Brian Oliver	<b>DATE:</b> 07/18/14	<b>PART NO:</b> CPCI-E7XX	<b>REVISION:</b> A
.XXX ±.005				<b>CHECKED:</b> A. Wright	<b>DATE:</b> 07/18/14	<b>CAGE CODE :</b> 32559	<b>SHEET #</b> 1 OF 1
CAD GENERATED DOCUMENT, DO NOT MEASURE DRAWING.							