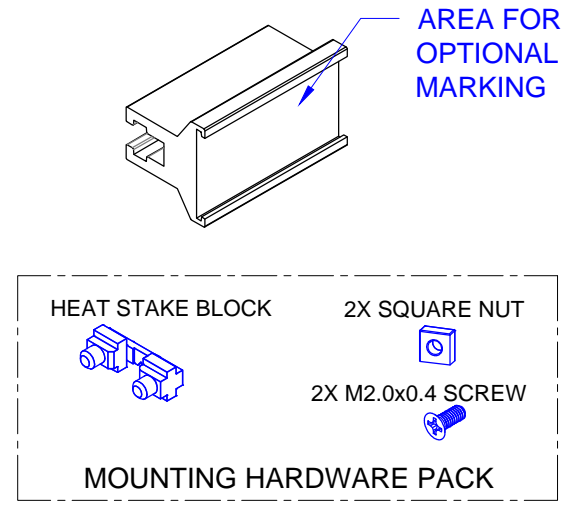
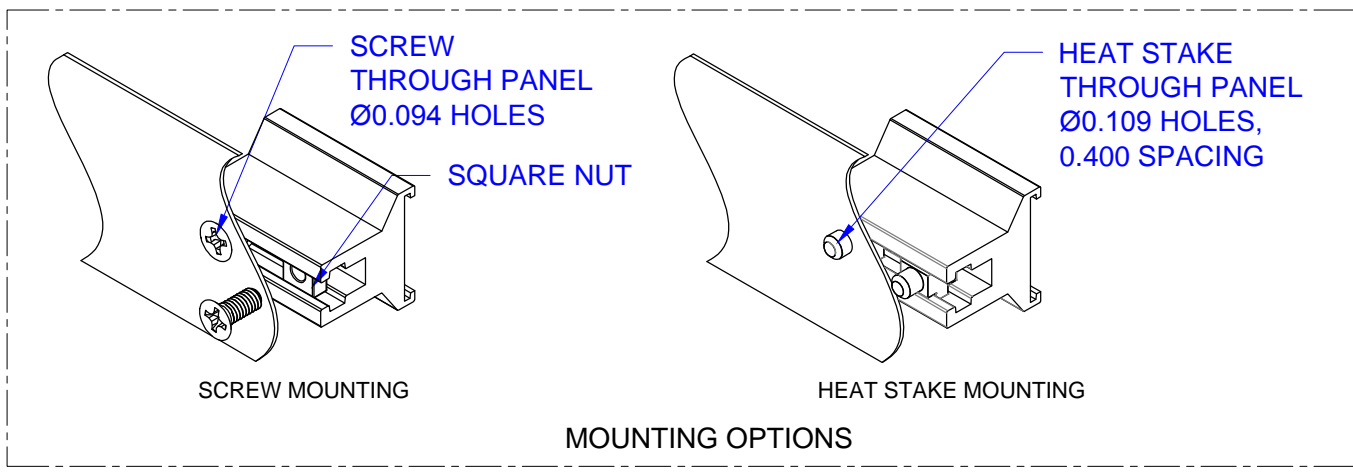
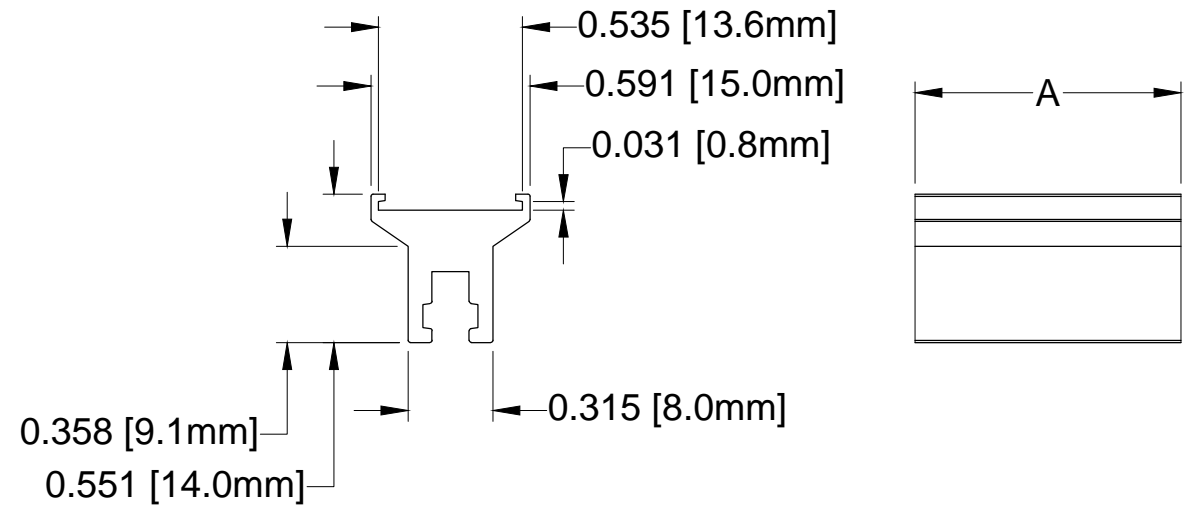


Part No.	Dim A	Mounting Hardware Pack Q'TY
CPCI-CP4HP	0.79 (20mm)	1
CPCI-CP5HP	0.99 (25mm)	1
CPCI-CP6HP	1.19 (30mm)	1
CPCI-CP7HP	1.39 (35mm)	2
CPCI-CP8HP	1.59 (40mm)	2
CPCI-CP10HP	1.99 (50mm)	2
CPCI-CP12HP	2.39 (61mm)	2
CPCI-CP14HP	2.79 (71mm)	3
CPCI-CP16HP	3.19 (81mm)	3
CPCI-CP18HP	3.59 (91mm)	3
CPCI-CP20HP	3.99 (101mm)	3

REV.	DESCRIPTION	DATE	APPROVED
A	Engineering Release.	06/25/14	J. C.
B	Notes Update without Change.	11/17/14	J. C.



NOTES:
 1. Handle Material: Aluminum 6063 T6
 2. Mounting Hardware Packaged Separately

STANDARD TOLERANCE (UNLESS OTHERWISE SPECIFIED)		 4 THOMAS, IRVINE, CA. 92618 TEL: (949) 951-8808 FAX: (949) 951-3974	
DECIMALS	ANGULAR		
X ± .2	X° ± 1°	TITLE: FACEPLATE HANDLE PART NO: CPCI-CPXHP CAGE CODE : 32559 SHEET # 1 OF 1 CAD GENERATED DOCUMENT, DO NOT MEASURE DRAWING.	
.XX ± .02			
.XXX ± .010			
DESIGNED: Brian Oliver	DATE: 06/25/14	REVISION: B	
CHECKED: A. Wright	DATE: 06/25/14		