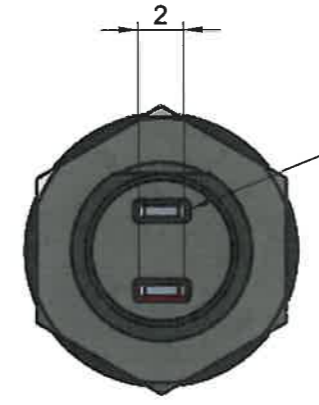
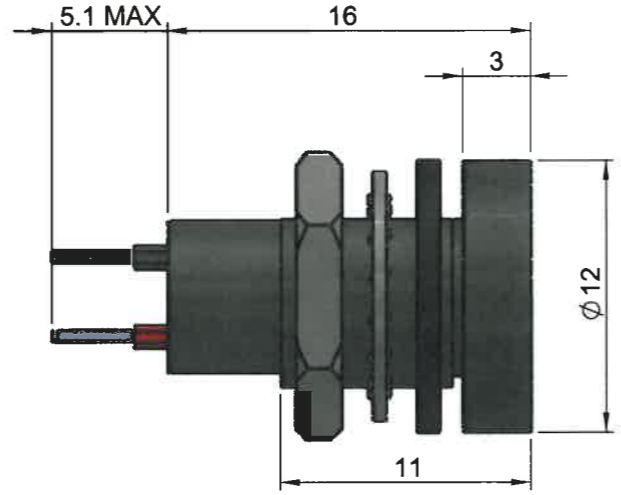
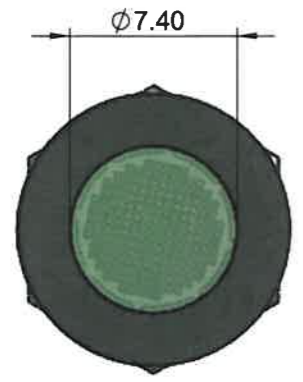


DRAWING NO SPL8722	SHEET 1 OF 2	MODEL NAME ASS8721	ISSUE 4
ISSUE	MODIFICATION	DRN	DATE
1	ORIGINAL ISSUE	DT	07/05/10
2	047/10	DT	13/05/10
3	066/10	DT	20/07/10
4	092/10	DT	06/10/10

HIGH PERFORMANCE LED PANEL INDICATOR LAMP

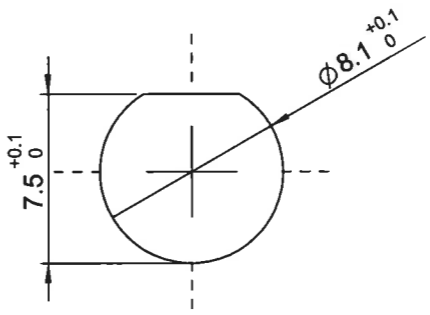


Marl International Limited
Marl Business Park
Ulverston
Cumbria
LA12 9BN
t: +44 (0) 1229 582430
f: +44 (0) 1229 585155
e: sales@marl.co.uk
w: www.marl.co.uk



CATHODE ALIGNED WITH HOUSING FLAT

RED: +VE
BLACK: -VE



MOUNTING HOLE DETAILS:
TO BE CLEAN AND BURR FREE

07 OCT 2010
NON-MAINTAINED
COPY

OVERVIEW

ESPECIALLY DESIGNED TO PROVIDE HIGH PERFORMANCE AND RELIABILITY, MEETING THE STRINGENT REQUIREMENTS OF MILITARY AND AVIONIC SYSTEM INDICATION, OPERATING IN SEVERE ENVIRONMENTS. THE LED PROVIDES NVG COMPATIBLE LIGHT OF NVIS RADIANCE FULLY COMPLIANT WITH MIL-STD-3009, CLASS A, AND COLOUR NVIS GREEN A.

MATERIALS

- LENS ENCAPSULATION: CLEAR STYCAST 1264
- EMC MESH: STAINLESS STEEL
- HOUSING: ALUMINIUM WITH A CONDUCTIVE BLACK CHROMATE FINISH.
- SEAL: CONDUCTIVE ELASTOMER, FLUOROSILICONE.
- NUT: BRASS TO BS2874 CZ121 WITH COPPER FLASH UNDERCOAT WITH NICKEL FINISH 5µ THICK TO BS1224
- LOCK WASHER: ZINC PLATED STEEL
- TERMINATION: HALF HARD BRASS - BS 2874 CZ108 0.5MM THICK
- REAR ENCAPSULATION: BLACK PC6116C RESIN AND PC5430 HARDNER.

FEATURES

- CONDUCTIVE ELASTOMER PANEL SEAL ENSURES INGRESS PROTECTION TO IP67 STANDARD.
- CONDUCTIVE BLACK CHROME HOUSING AND INTEGRAL EMI SCREEN TO ENHANCE EMC.
- FITTED WITH HIGH PERFORMANCE WHITE LED, WITH GREEN LENS TINTING.
- SUNLIGHT READABLE AND NVIS COMPATIBLE.



TOLERANCE/ SCALE UOS	 ALL DIMENSIONS IN MM FORMAT - A3	DRN: DT
LINEAR ±0.1		DATE: 05/05/10
ANGULAR ±1°		CHK1: <i>[Signature]</i>
ORIGINAL SCALE 3:1		CHK2: <i>[Signature]</i>

NOTE:
THIS DOCUMENT ONLY CONTAINS BASIC MARKETING INFORMATION ON THE FUNCTION OR PURPOSE

DRAWING NO SPL8722	SHEET 2 OF 2	MODEL NAME ASS8721	ISSUE 4
ISSUE	MODIFICATION	DRN	DATE
1	ORIGINAL ISSUE	DT	07/05/10
2	047/10	DT	13/05/10
3	066/10	DT	20/07/10
4	092/10	DT	06/10/10

HIGH PERFORMANCE LED PANEL INDICATOR LAMP



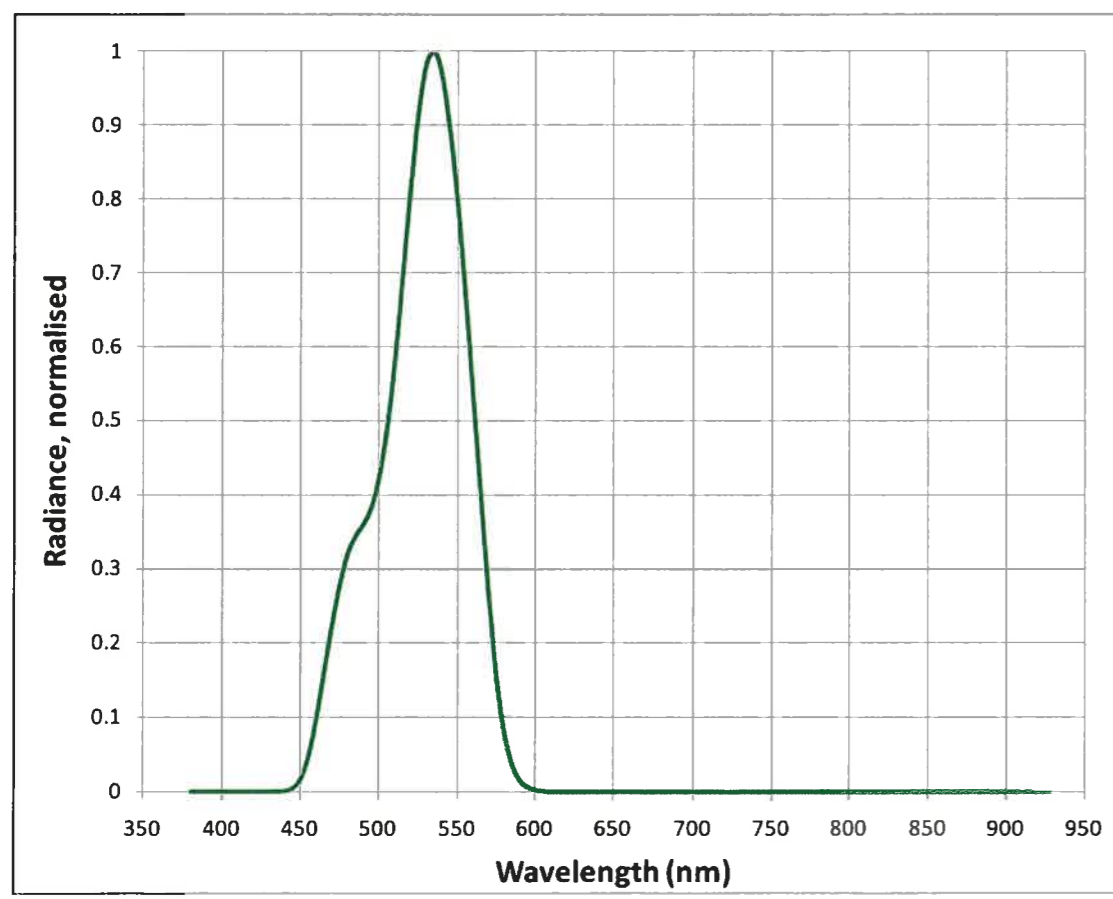
Marl International Limited
Marl Business Park
Ulverston
Cumbria
LA12 9BN
t: +44 (0) 1229 582430
f: +44 (0) 1229 585155
e: sales@marl.co.uk
w: www.marl.co.uk

NICHIA WHITE LED MODEL NSPW500DS RANK B1V CHARACTERISTICS						
FORWARD VOLTAGE (VDC)	DC FORWARD CURRENT (mA DC)	REVERSE VOLTAGE (VDC) @ I _r = 100µA	POWER DISSIPATION (mW)	OPERATING TEMPERATURE (°C)*	STORAGE TEMPERATURE (°C)	LEAD SOLDERING TEMPERATURE
3.2	20	5	64mW	-30 TO +85	-40 TO +100	260°C FOR 5 SECONDS

*DERATE LINEARLY FROM 65 °C @ 0.6mA/°C UP TO 85 °C MAX.

MOUNTING TORQUE: 0.6NM

NORMALISED SPECTRAL OUTPUT



TYPICAL PERFORMANCE

NVIS RADIANCE PER MIL-STD-3009 @ 0.1fL		GREEN/RED RATIO		CHROMATICITY	
NR _A	NR _B	I ₃	I _{3W}	u'	v'
4.53E-11	1.07E-11	11082	241	.0849	.5562

MARL PART NUMBER	COLOUR LENS	WAVELENGTH
697-950-04	GREEN	534NM

07 OCT 2010
NON-MAINTAINED COPY

FEATURES

- CONDUCTIVE ELASTOMER PANEL SEAL ENSURES INGRESS PROTECTION TO IP67 STANDARD.
- CONDUCTIVE BLACK CHROME HOUSING AND INTEGRAL EMI SCREEN TO ENHANCE EMC.
- FITTED WITH HIGH PERFORMANCE WHITE LED, WITH GREEN LENS TINTING.
- SUNLIGHT READABLE AND NVIS COMPATIBLE.



TOLERANCE/ SCALE UOS		DRN: DT
LINEAR ±0.1		DATE: 05/05/10
ANGULAR ±1°	ALL DIMENSIONS IN MM	CHK1: <i>[Signature]</i>
ORIGINAL SCALE 3:1		CHK2: <i>[Signature]</i>

NOTE:
THIS DOCUMENT ONLY CONTAINS BASIC MARKETING INFORMATION ON THE FUNCTION OR PURPOSE