

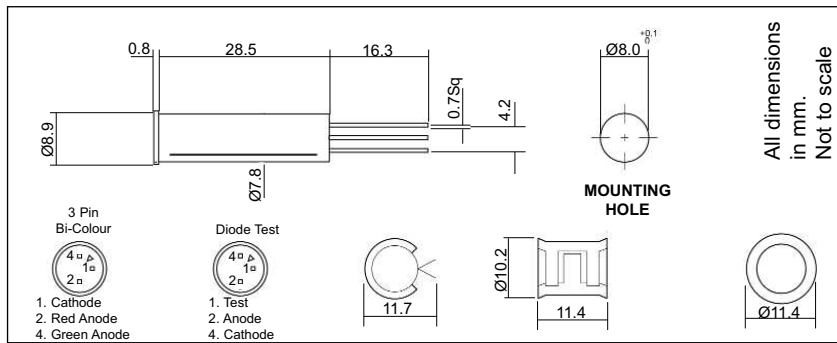
PANEL INDICATOR LEDs - Panel Sockets & Connectors

**01-908-000-00**

PACK QUANTITY = 20 PIECES



- 3 pin panel mounting socket complete with mounting hardware
- For use with 411 series indicators when diode test facility is specified
- Can be supplied with flying leads



The information contained in this datasheet does not constitute part of any order or contract and should not be regarded as a representation relating to either products or service. We reserve the right to alter without notice the specification or any conditions of supply for products or service.