

# LED Driver

## High Power Constant Current LED Driver Dimmable

Total Power	24 Watts max.
Input Voltages	10 ~ 40VDC or 10 ~ 28VAC
Number of Outputs	One

# Product Specifications

ANZ#: Z124, March 17, 2006

## SPECIAL FEATURES

- Compact size maximizes design flexibility.
- 1.79" x 1.34" x 0.75" (LxWxH)
- Suitable for wet, damp and dry locations
- High efficiency reduce total power consumption
- Adopt (PWM dimming, 0 - 10VDC control voltage, dimming range 0 - 100%)
- Wide range of input from 10 - 40VDC or 10 ~ 28VAC.
- Wide selection of pre-adjusted C/C outputs

## ENVIRONMENTAL

Operating temperature:	-40 to +50 ° C
Storage temperature:	-40 to +85 ° C
Humidity (Non-Condensing):	5% to 95%
Cooling:	Convection
Vibration Frequency:	5 to 50 Hz
MTBF:	>100,000 Hours at full load and 25°C ambient conditions (MIL-217F)



Picture shown above is not to scale

## MODEL : CC1512Dxy-zzzz (CC1512DP-350,CC1512DP-700,CC1512DP-1000)

DC Input Voltage	DC output working Voltage	Output (Note1) Constant Current	Watts Max.	DC Input Voltage	DC output working Voltage	Output (Note1) Constant Current	Watts Max.
40Vdc	2~34V	300~700mA	24W	24Vdc	2~20V	300~1000mA	20W
36Vdc	2~31V	300~700mA	22W	20Vdc	2~16.5V	300~1000mA	16.5W
30Vdc	2~25.5V	300~1000mA	25.5W	12Vdc	2~9V	300~1000mA	9W
28Vdc	2~23.5V	300~1000mA	23.5W	10Vdc	2~ 7V	300~1000mA	7W

Note1 : Output Constant Current can be adjusted at factory before shipping.

## MODEL : CC1512Axy-zzzz (CC1512AP-350,CC1512AP-700,CC1512AP-1000)

Input Voltage	DC output working Voltage	Output Constant Current	Watts Max.	Input Voltage	DC output working Voltage	Output Constant Current	Watts Max.
28V ac,dc	2~24V	350mA	9.8W	15V ac,dc	2~9V	700mA	6.3W
24V ac,dc	2~21V	350mA	7W	12V ac,dc	2~6V	700mA	4.2W
20V ac,dc	2~16V	350mA	5.6W	28V ac,dc	2~18.5V	1000mA	18.5W
15V ac,dc	2~12V	350mA	4.2W	24V ac,dc	2~15.5V	1000mA	15.5W
12V ac,dc	2~8.5V	350mA	3W	20V ac,dc	2~11.5V	1000mA	11.5W
28V ac,dc	2~21V	700mA	14.7W	15V ac,dc	2~7V	1000mA	7W
24V ac,dc	2~18V	700mA	12W	12V ac,dc	2~4.5V	1000mA	4.5W
20V ac,dc	2~14V	700mA	9W				

**MODEL INFORMATION :**

CC4036xye-zzzz ( Single DC Output )

x = D- DC input A- Low Voltage AC input  
 y = P- plastic housing (31x32x15mm), E- Not Defined

Hn = H- Dimmer (10V- 100% Lux., 0V- 0%Lux.) – optional or Blank

H1= Input limited from 10-20VDC

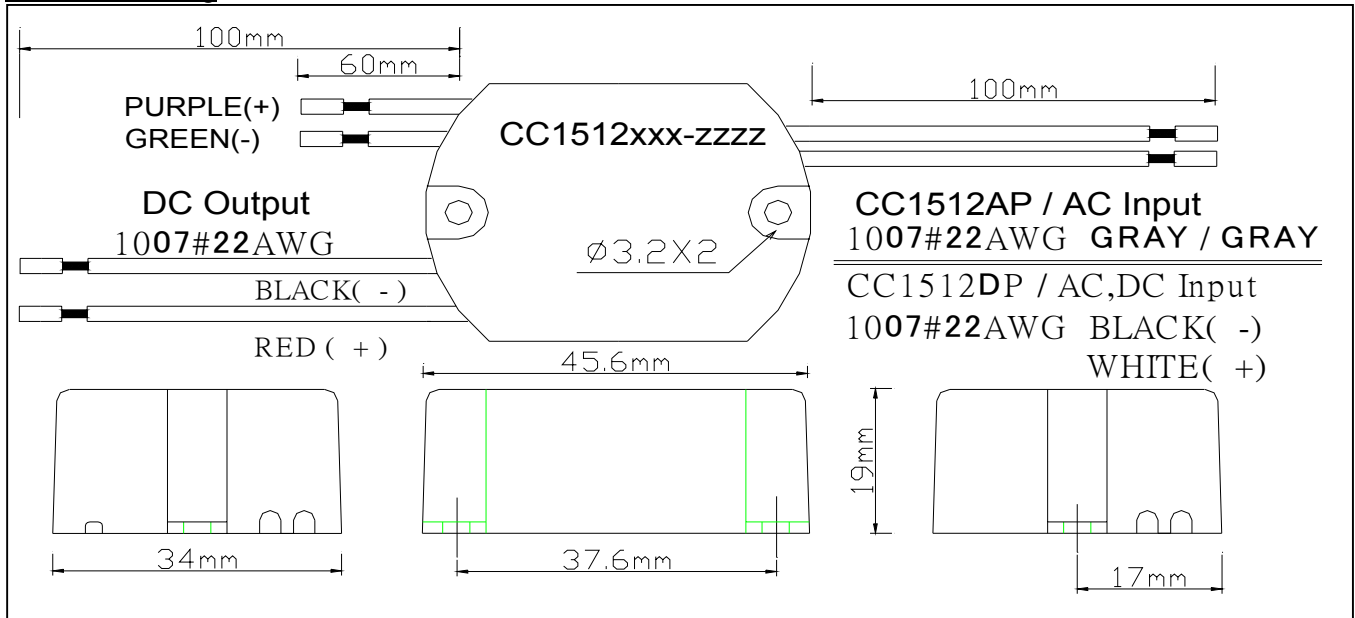
H2= Input limited from 20-30VDC

H3= Input limited from 30-40VDC

zzzz = 0350- 350mA , 0500- 500mA , 0700- 700mA , 1000- 1000mA Constant Current Output.

**MECHANICAL DRAWING:**

**P-Plastic Housing**



**Dimming Diagram**

