

DRAWING NO	SHEET	MODEL NAME	ISSUE
SPL8098	1 OF 2	SPL8098	1

ISSUE	MODIFICATION	DRN	DATE
1	ORIGINAL ISSUE	NJK	13.07.07



Marl International Limited
 Marl Business Park,
 Ulverston, Cumbria,
 LA12 9BN, England.

tel: +44 (0)1229 582430
 fax: +44 (0)1229 585155
 e-mail: sales@marl.co.uk
 website: www.marl.co.uk

729 SERIES SPOTLIGHT FIXTURE

SPECIFICATIONS

Overview

The 729 series is a range of internal or external, high brightness LED spotlight fixtures. Available in warm white, cold white and RGB with a choice of three beam patterns and three operating powers. The spotlights are designed to be mounted utilising the three mounting holes in the base. Due to the reduced power consumption and long operating life (50,000 hours), this range of spotlights are ideal replacements for conventional accent lighting. The 729 series spotlight fixtures require a constant current input. Please refer to Marl Creative Arc Solid State Lighting Product Selector catalogue for wiring options.

Mechanical

Dimensions: See sheet 2
 Housing: Stainless Steel Grade 304
 Lens: 5mm toughened glass
 IP rating: IP68
 Cable: 2m un-terminated flying lead

Electrical

Input voltage: 12Vdc, 24Vdc or 110-240Vac (see driver data)
 Input current (white): 350, 700 or 1000mA
 Input current (RGB): 350mA
 Operating power (white): 3W, 6W or 9W
 Operating power (RGB): 9W Max.

Optical

LED colour: See LED data sheet (for LED part number see sheet 2)
 LED CRI: See LED data sheet (for LED part number see sheet 2)
 Linear optic: 4x25° (white only)
 Medium optic: 30°
 Wide optic: 45°

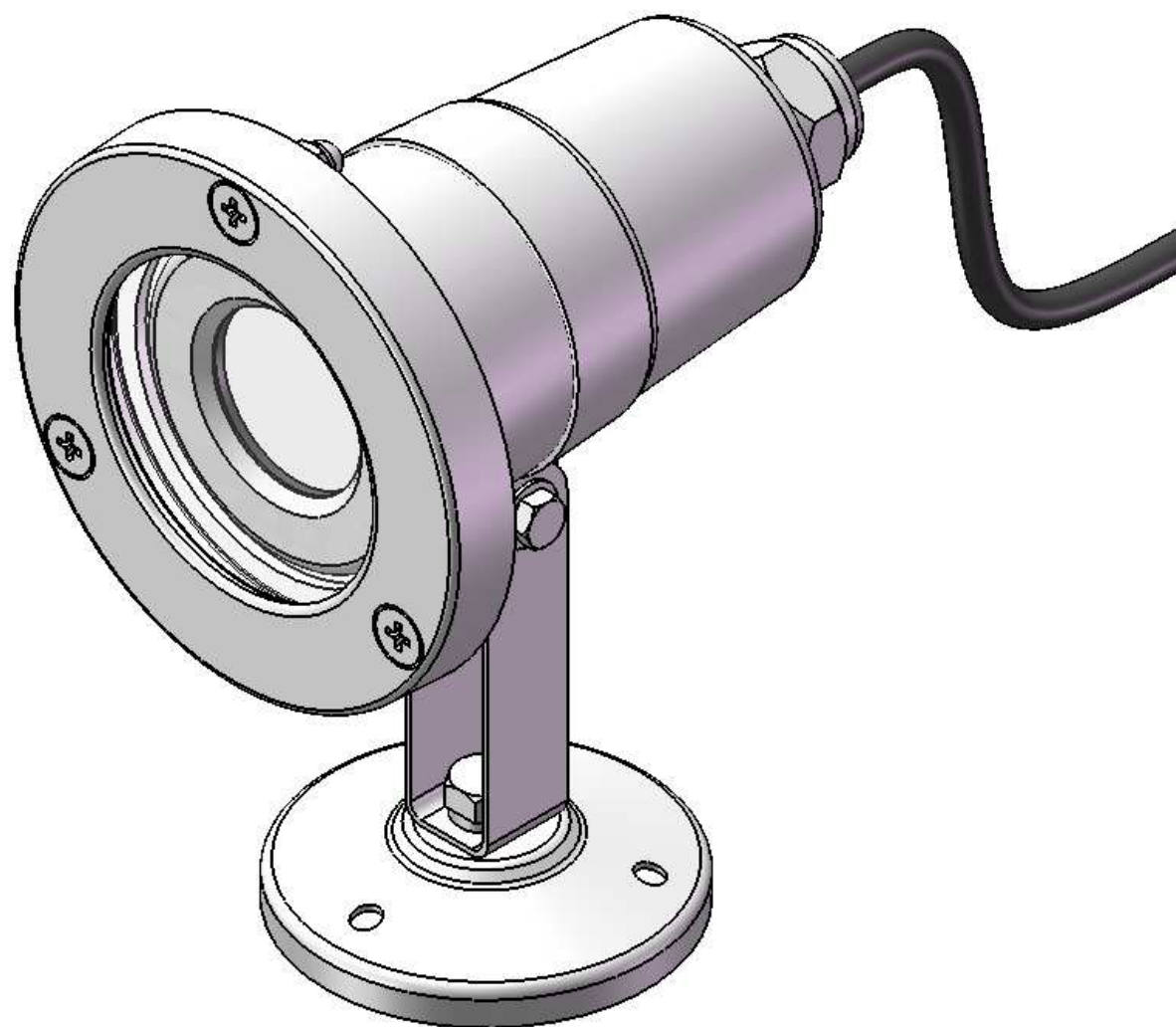
Thermal

Max. Ambient temperature: 40°C

Driver Options

A - Low voltage, 1 way, non dimmable (white only): See SPL8148
 B - Low voltage, 2-4 way non dimmable (white only): See SPL8148
 C - Low voltage, 1-8 way dimmable (white only): See data sheet DP1512D
 D - Mains, 1 way, non dimmable (white only): See data L07U
 E - 24Vdc, 1 way (RGB): See SPL8097
 F - DMX controller (white or RGB): See SPL8099

Wiring schematic: SPL8192



Benefits

- RGB colour mixing at source
- Industry leading efficacy from light engine
- Low power consumption
- Low maintenance
- Fully sealed to IP68
- UK manufacturing to ISO 9001

Applications

- Architectural lighting
- Product display
- Garden lighting
- Pond lighting
- Fountain lighting
- Feature/accent lighting

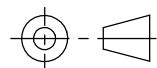


TOLERANCE/ SCALE UOS

LINEAR ± NA

ANGULAR ± NA°

ORIGINAL SCALE 1:1



ALL DIMENSIONS

IN MM

DRN: NJK

DATE: 12.07.07

CHK1:

CHK2:

DRAWING NO SHEET MODEL NAME ISSUE
SPL8098 2 OF 2 SPL8098 1

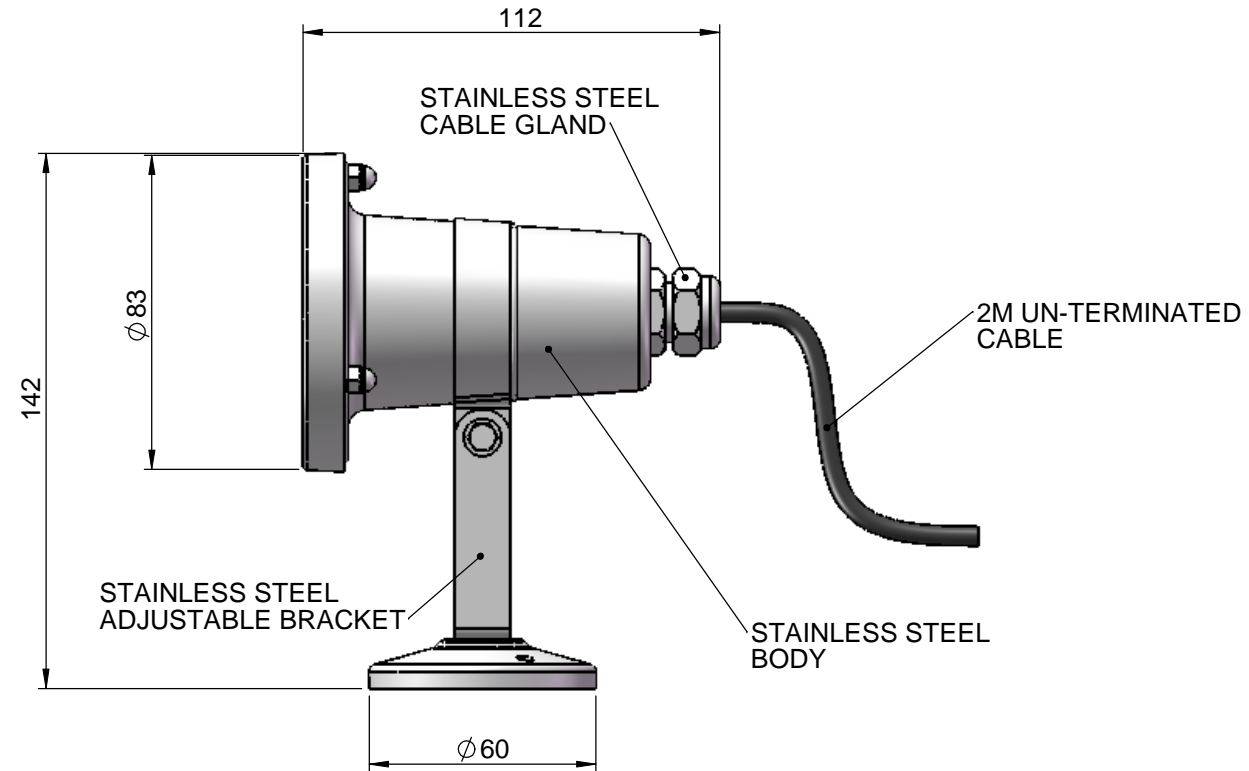
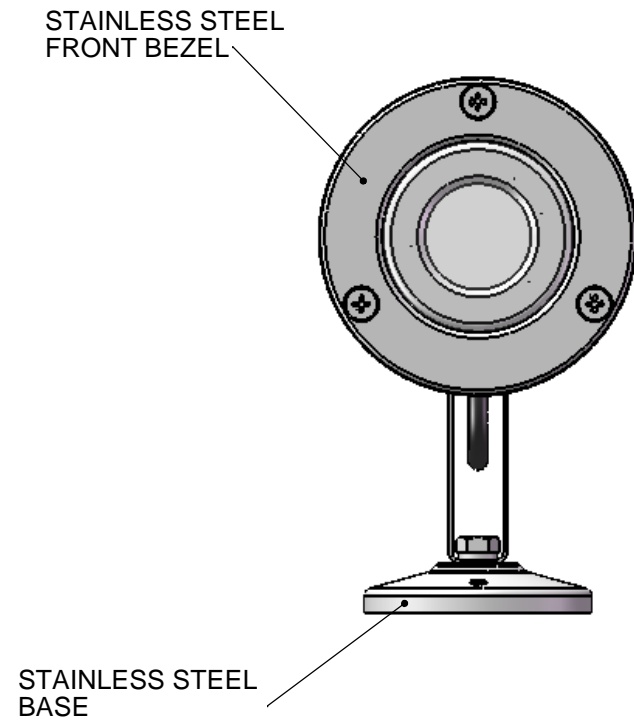
ISSUE	MODIFICATION	DRN	DATE
1	ORIGINAL ISSUE	NJK	13.07.07



Marl International Limited
 Marl Business Park,
 Ulverston, Cumbria,
 LA12 9BN, England.

tel: +44 (0)1229 582430
 fax: +44 (0)1229 585155
 e-mail: sales@marl.co.uk
 website: www.marl.co.uk

729 SERIES SPOTLIGHT FIXTURE



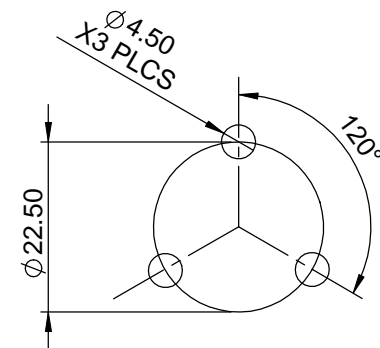
Benefits

- RGB colour mixing at source
- Industry leading efficacy from light engine
- Low power consumption
- Low maintenance
- Fully sealed to IP68
- UK manufacturing to ISO 9001

Applications

- Architectural lighting
- Product display
- Garden lighting
- Pond lighting
- Fountain lighting
- Feature/accent lighting

Part Number	Optic	Colour	LED part number
729-615-00-51	Medium	Cold white	NT-42D0-0426
729-615-00-52	Wide	Cold white	NT-42D0-0426
729-615-00-53	Linear	Cold white	NT-42D0-0426
729-616-00-51	Medium	Warm white	NT-42D1-0425
729-616-00-52	Wide	Warm white	NT-42D1-0425
729-616-00-53	Linear	Warm white	NT-42D1-0425
729-617-00-51	Medium	RGB	NT-43F0-0424
729-617-00-52	Wide	RGB	NT-43F0-0424



BASE MOUNTING HOLE DETAIL
1:1

TOLERANCE/ SCALE UOS		DRN: NJK
LINEAR ± NA		DATE: 12.07.07
ANGULAR ± NA°	ALL DIMENSIONS	CHK1: <i>D. Hudson</i>
ORIGINAL SCALE 1:1	IN MM	CHK2: <i>NJK</i>

