

| | | | |
|----------------|----------------|----------------|----------|
| DRAWING NO | SHEET | MODEL NAME | ISSUE |
| SPL8188 | 1 OF 2 | SPL8188 | 1 |
| ISSUE | MODIFICATION | DRN | DATE |
| 1 | ORIGINAL ISSUE | NJK | 10.08.07 |



Marl International Limited
 Marl Business Park,
 Ulverston, Cumbria,
 LA12 9BN, England.

tel: +44 (0)1229 582430
 fax: +44 (0)1229 585155
 e-mail: sales@marl.co.uk
 website: www.marl.co.uk

732 SERIES UPLIGHT FIXTURE

SPECIFICATIONS

Overview

The 732 series is a range of internal or external, high brightness LED uplight fixtures which are capable of withstanding loads of up to 2000kg. Available in warm white, cold white and RGB with a choice of three operating powers. The uplights are designed to be mounted utilising the plastic ground shroud. Due to the reduced power consumption and long operating life (50,000 hours), this range of uplights are ideal replacements for conventional walk over lighting in drives or paths. The 732 series uplight fixtures require a constant current input. Please refer to Marl Creative Arc Solid State Lighting Product Selector catalogue for wiring options.

Mechanical

Dimensions: See sheet 2
 Housing: Black painted cast aluminium
 Bezel: Brushed stainless steel grade 304
 Ground shroud: Plastic
 Lens: 12mm toughened glass
 IP rating: IP67
 Cable: 2m un-terminated flying lead

Electrical

Input voltage: 24Vdc or 110-240Vac (see driver data)
 Input current (white): 700, 1000 or 1400mA
 Input current (RGB): 700mA
 Operating power (white): 17W, 24W or 34W
 Operating power (RGB): 24W

Optical

LED colour: See LED data sheet (for LED part number see sheet 2)
 LED CRI: See LED data sheet (for LED part number see sheet 2)
 Medium optic: 25°

Thermal

Max. Ambient temperature: 40°C

Driver Options

A - Low voltage (24Vdc), 1 way, non dimmable (white only): See SPL8148
 B - Low voltage (24Vdc), 2-4 way, non dimmable (white only): See SPL8148
 D - Mains voltage, 1 way, non dimmable (white only): See data sheet LP1040
 E - 24Vdc, 1 way (RGB): See SPL8097
 F - DMX controller (white or RGB): See SPL8099

Wiring schematics: See SPL8192



Benefits

- RGB colour mixing at source
- Industry leading efficacy from light engine
- Low power consumption
- Low maintenance
- Sealed to IP67
- UK manufacturing to ISO 9001

Applications

- Architectural lighting
- Pathway lighting
- Garden lighting
- Driveway lighting
- Feature lighting



| | | | |
|----------------------|------|-------|-------------|
| TOLERANCE/ SCALE UOS | | DRN: | NJK |
| LINEAR | ± NA | DATE: | 10.08.07 |
| ANGULAR | ± NA | CHK1: | <i>D.H.</i> |
| ORIGINAL SCALE | 1:2 | CHK2: | <i>NJK</i> |

DRAWING NO SHEET MODEL NAME ISSUE
SPL8188 2 OF 2 SPL8188 1

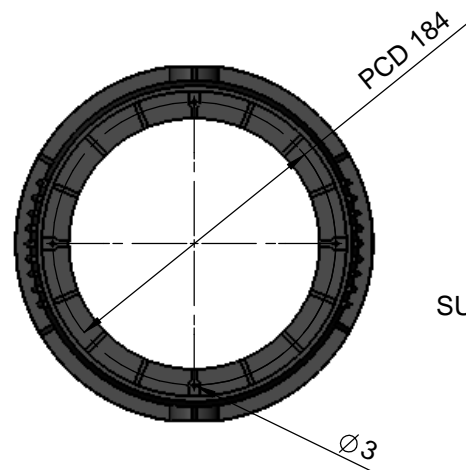
| ISSUE | MODIFICATION | DRN | DATE |
|-------|----------------|-----|----------|
| 1 | ORIGINAL ISSUE | NJK | 10.08.07 |



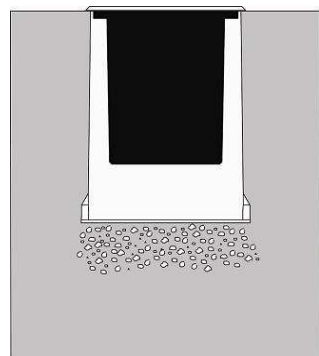
Marl International Limited
 Marl Business Park,
 Ulverston, Cumbria,
 LA12 9BN, England.

tel: +44 (0)1229 582430
 fax: +44 (0)1229 585155
 e-mail: sales@marl.co.uk
 website: www.marl.co.uk

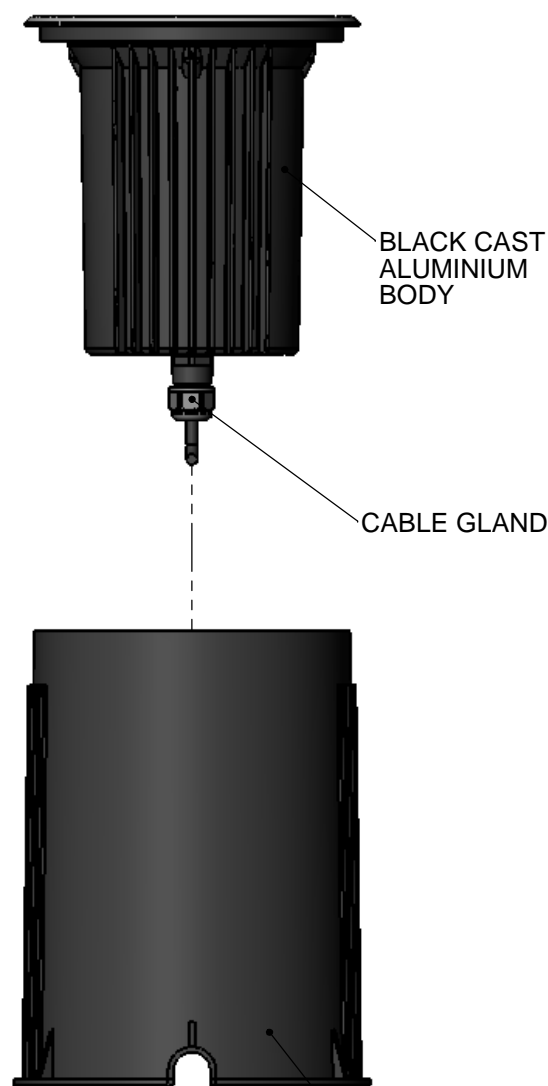
732 SERIES UPLIGHT FIXTURE



UPLIGHT FIXTURE SECURED TO GROUND SHROUD BY REMOVING BEZEL AND SECURE USING SUITABLE COUNTERSUNK SCREWS (NOT SUPPLIED)



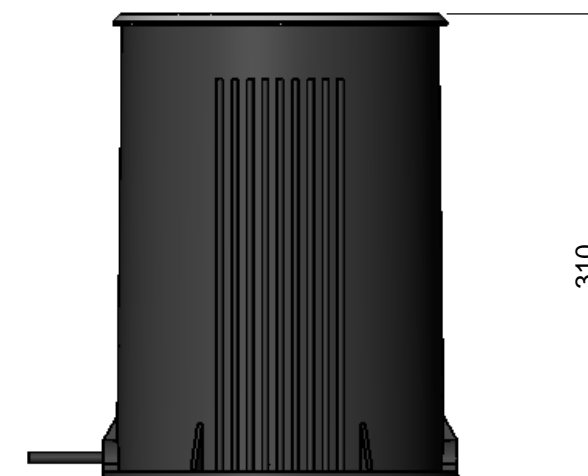
THE GROUND SHROUD MUST BE PLACED AT GROUND LEVEL. 300MM OF DRAINING GRAVEL MUST BE USED UNDER GROUND SHROUD AS A SOAK AWAY.



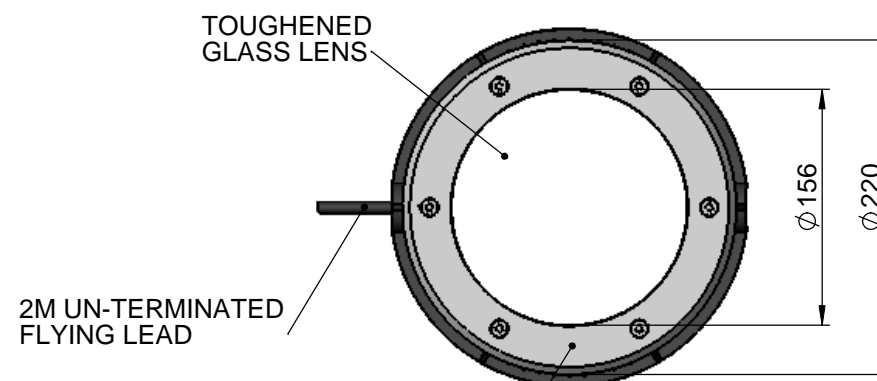
BLACK CAST ALUMINIUM BODY

CABLE GLAND

BLACK PLASTIC GROUND SHROUD



310



2M UN-TERMINATED FLYING LEAD

TOUGHENED GLASS LENS

STAINLESS STEEL BEZEL

| Part Number | Optic | LED Colour | LED part number |
|---------------|--------|------------|-----------------|
| 732-618-16-50 | Medium | Cold white | NT-52D0-0429 |
| 732-619-16-50 | Medium | Warm white | NT-52D1-0430 |
| 732-620-09-50 | Medium | RGB | NT-53F0-0428 |

| | | |
|----------------------|----------------|--------------------------|
| TOLERANCE/ SCALE UOS | | DRN: NJK |
| LINEAR ± NA | | DATE: 10.08.07 |
| ANGULAR ± NA | ALL DIMENSIONS | CHK1: <i>[Signature]</i> |
| ORIGINAL SCALE 1:5 | IN MM | CHK2: <i>[Signature]</i> |

Benefits

- RGB colour mixing at source
- Industry leading efficacy from light engine
- Low power consumption
- Low maintenance
- Sealed to IP67
- UK manufacturing to ISO 9001

Applications

- Architectural lighting
- Pathway lighting
- Garden lighting
- Driveway lighting
- Feature lighting

