

DRAWING NO	SHEET	MODEL NAME	ISSUE
SPL8186	1 OF 2	SPL8186	1
ISSUE	MODIFICATION	DRN	DATE
1	ORIGINAL ISSUE	NJK	08.08.07



Marl International Limited
 Marl Business Park,
 Ulverston, Cumbria,
 LA12 9BN, England.

tel: +44 (0)1229 582430
 fax: +44 (0)1229 585155
 e-mail: sales@marl.co.uk
 website: www.marl.co.uk

728 SERIES UPLIGHT FIXTURE

SPECIFICATIONS

Overview

The 728 series is a range of internal or external, high brightness LED uplight fixtures. Available in warm white, cold white and RGB with a choice of three beam patterns and three operating powers. The uplights are designed to be mounted utilising the three mounting holes in the plastic ground shroud. Due to the reduced power consumption and long operating life (50,000 hours), this range of uplights are ideal replacements for conventional walk over lighting in drives or paths. The 728 series uplight fixtures require a constant current input. Please refer to Marl Creative Arc Solid State Lighting Product Selector catalogue for wiring options.

Mechanical

Dimensions: See sheet 2
 Housing: Stainless steel gade 304
 Bezel: Brushed stainless steel grade 304
 Ground shroud: Plastic
 Lens: 5mm toughened glass
 IP rating: IP68
 Cable: 2m un-terminated flying lead

Electrical

Input voltage: 12Vdc, 24Vdc or 110-240Vac (see driver data)
 Input current (white): 350, 700 or 1000mA
 Input current (RGB): 350mA
 Operating power (white): 3W, 6W or 9W
 Operating power (RGB): 9W Max.

Optical

LED colour: See LED data sheet (for LED part number see sheet 2)
 LED CRI: See LED data sheet (for LED part number see sheet 2)
 Linear optic: 4x25° (white only)
 Medium optic: 30°
 Wide optic: 45°

Thermal

Max. Ambient temperature: 40°C

Driver Options

- A - Low voltage, 1 way, non dimmable (white only): See SPL8148
- B - Low voltage, 2-4 way non dimmable (white only): See SPL8148
- C - Low voltage, 1-8 way dimmable (white only): See data sheet DP1512D
- D - Mains, 1 way, non dimmable (white only): See data L07U
- E - 24Vdc, 1 way (RGB): See SPL8097
- F - DMX controller (white or RGB): See SPL8099

Wiring schematic: SPL8192

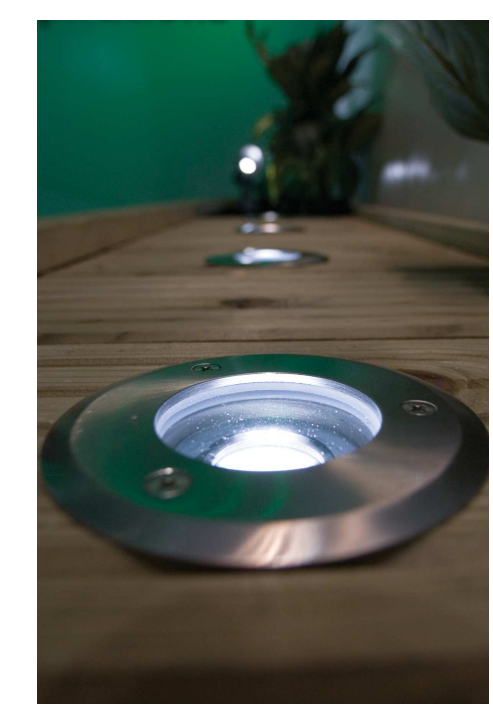


Benefits

- RGB colour mixing at source
- Industry leading efficacy from light engine
- Low power consumption
- Low maintenance
- Fully sealed to IP68
- UK manufacturing to ISO 9001

Applications

- Architectural lighting
- Pathway lighting
- Garden lighting
- Driveway lighting
- Feature lighting



TOLERANCE/ SCALE UOS		DRN:	NJK
LINEAR	± NA	DATE:	08.08.07
ANGULAR	± NA	CHK1:	<i>D.H.</i>
ORIGINAL SCALE	1:1	CHK2:	<i>NJK</i>

DRAWING NO SHEET MODEL NAME ISSUE
SPL8186 2 OF 2 SPL8186 1

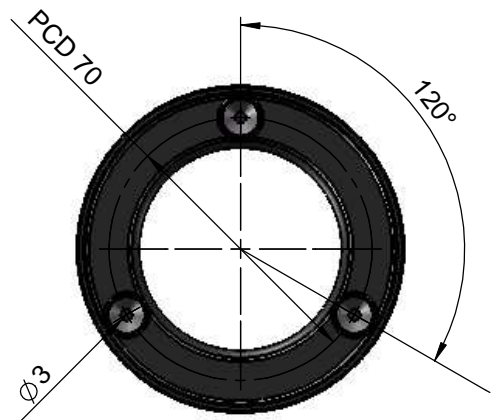
ISSUE	MODIFICATION	DRN	DATE
1	ORIGINAL ISSUE	NJK	08.08.07



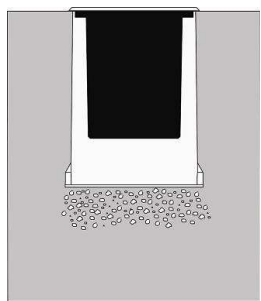
Marl International Limited
 Marl Business Park,
 Ulverston, Cumbria,
 LA12 9BN, England.

tel: +44 (0)1229 582430
 fax: +44 (0)1229 585155
 e-mail: sales@marl.co.uk
 website: www.marl.co.uk

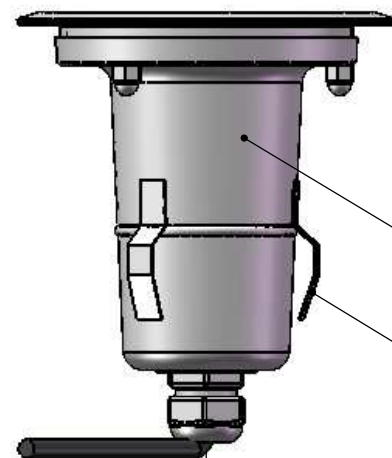
728 SERIES UPLIGHT FIXTURE



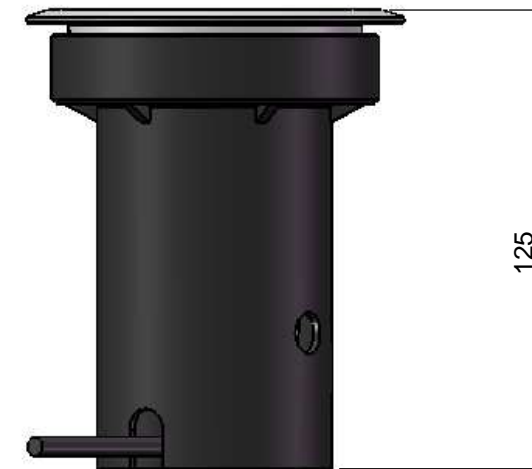
GROUND SHROUD
 MOUNTING HOLE DETAIL
 WHEN MOUNTED INTO
 DECKING



THE GROUND SHROUD
 MUST BE PLACED AT
 GROUND LEVEL. 300MM
 OF DRAINING GRAVEL
 MUST BE USED UNDER
 GROUND SHROUD AS
 A SOAK AWAY.



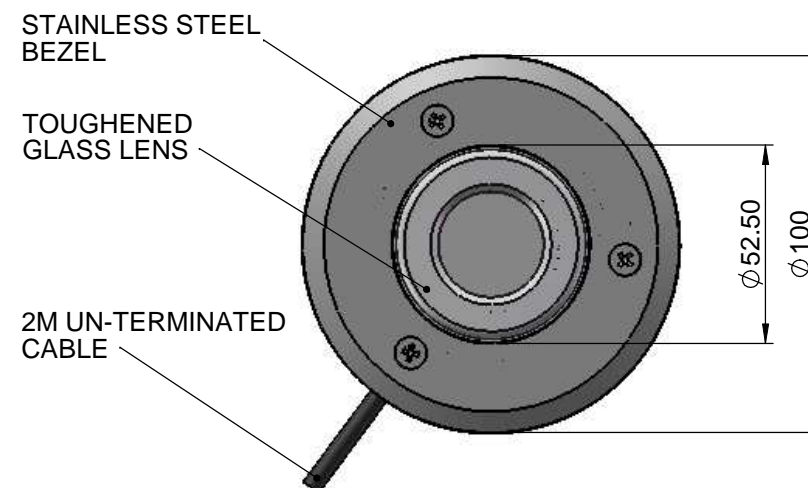
STAINLESS STEEL
 BODY
 RETAINING CLIPS



125



BLACK PLASTIC
 GROUND SHROUD



STAINLESS STEEL
 BEZEL

TOUGHENED
 GLASS LENS

2M UN-TERMINATED
 CABLE

Ø 52.50

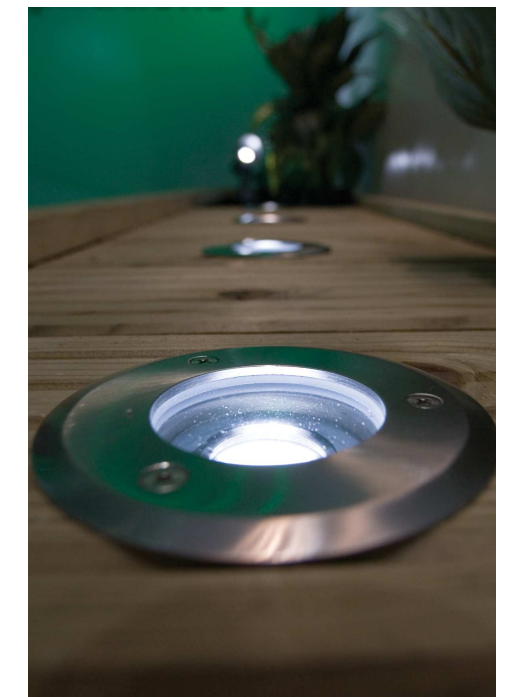
Ø 100

Benefits

- RGB colour mixing at source
- Industry leading efficacy from light engine
- Low power consumption
- Low maintenance
- Fully sealed to IP68
- UK manufacturing to ISO 9001

Applications

- Architectural lighting
- Pathway lighting
- Garden lighting
- Driveway lighting
- Feature lighting



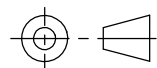
Part Number	Optic	LED Colour	LED part number
728-615-00-51	Medium	Cold white	NT-42D0-0426
728-615-00-52	Wide	Cold white	NT-42D0-0426
728-615-00-53	Linear	Cold white	NT-42D0-0426
728-616-00-51	Medium	Warm white	NT-42D1-0425
728-616-00-52	Wide	Warm white	NT-42D1-0425
728-616-00-53	Linear	Warm white	NT-42D1-0425
728-617-00-51	Medium	RGB	NT-43F0-0424
728-617-00-52	Wide	RGB	NT-43F0-0424

TOLERANCE/ SCALE UOS

LINEAR ± NA

ANGULAR ± NA

ORIGINAL SCALE 1:2



ALL DIMENSIONS

IN MM

DRN: NJK

DATE: 08.08.07

CHK1:

CHK2: