

DRAWING NO	SHEET	MODEL NAME	ISSUE
SPL8189	1 OF 2	SPL8189	1

ISSUE	MODIFICATION	DRN	DATE
1	ORIGINAL ISSUE	NJK	10.08.07



Marl International Limited
 Marl Business Park,
 Ulverston, Cumbria,
 LA12 9BN, England.

tel: +44 (0)1229 582430
 fax: +44 (0)1229 585155
 e-mail: sales@marl.co.uk
 website: www.marl.co.uk

733 SERIES UPLIGHT FIXTURE

SPECIFICATIONS

Overview

The 733 series is a range of internal or external, high brightness LED uplight fixtures which are capable of withstanding loads of up to 2000kg. Available in warm white, cold white and RGB with a choice of three operating powers. The uplights are designed to be mounted utilising the plastic ground shroud and emit light in a horizontal direction through twelve windows. Due to the reduced power consumption and long operating life (50,000 hours), this range of uplights are ideal replacements for conventional walk over lighting in drives or paths. The 732 series uplight fixtures require a constant current input. Please refer to Marl Creative Arc Solid State Lighting Product Selector catalogue for wiring options.

Mechanical

Dimensions: See sheet 2
 Housing: Black painted cast aluminium
 Bezel: Black painted cast aluminium
 Ground shroud: Plastic
 Lens: 12mm toughened glass
 IP rating: IP67
 Cable: 2m un-terminated flying lead

Electrical

Input voltage: 24Vdc or 110-240Vac (see driver data)
 Input current (white): 700, 1000 or 1400mA
 Input current (RGB): 700mA
 Operating power (white): 17W, 24W or 34W
 Operating power (RGB): 24W

Optical

LED colour: See LED data sheet (for LED part number see sheet 2)
 LED CRI: See LED data sheet (for LED part number see sheet 2)
 Medium optic: 25°

Thermal

Max. Ambient temperature: 40°C

Driver Options

A - Low voltage (24Vdc), 1 way, non dimmable (white only): See SPL8148
 B - Low voltage (24Vdc), 2-4 way, non dimmable (white only): See SPL8148
 D - Mains voltage, 1 way, non dimmable (white only): See data sheet LP1040
 E - 24Vdc, 1 way (RGB): See SPL8097
 F - DMX controller (white or RGB): See SPL8099

Wiring schematics: See SPL8192



Benefits

- RGB colour mixing at source
- Industry leading efficacy from light engine
- Low power consumption
- Low maintenance
- Sealed to IP67
- UK manufacturing to ISO 9001

Applications

- Architectural lighting
- Pathway lighting
- Garden lighting
- Driveway lighting
- Feature lighting

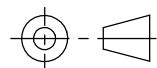


TOLERANCE/ SCALE UOS

LINEAR ± NA

ANGULAR ± NA

ORIGINAL SCALE 1:2



ALL DIMENSIONS

IN MM

DRN: NJK

DATE: 10.08.07

CHK1:

CHK2:

DRAWING NO SHEET MODEL NAME ISSUE
SPL8189 2 OF 2 SPL8189 1

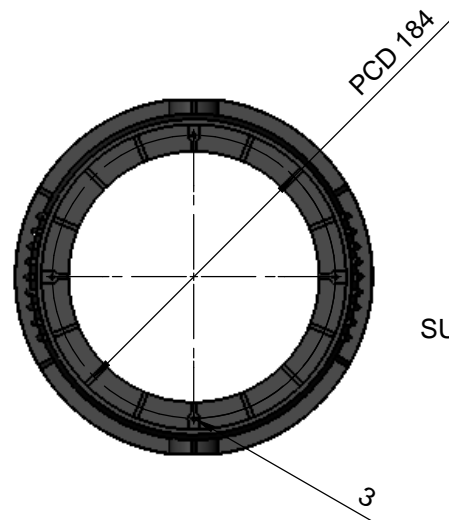
ISSUE	MODIFICATION	DRN	DATE
1	ORIGINAL ISSUE	NJK	10.08.07



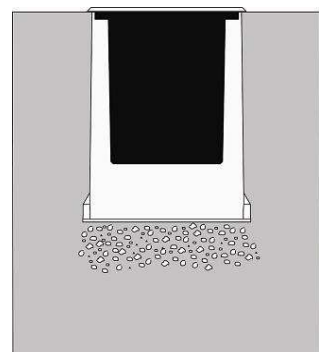
Marl International Limited
 Marl Business Park,
 Ulverston, Cumbria,
 LA12 9BN, England.

tel: +44 (0)1229 582430
 fax: +44 (0)1229 585155
 e-mail: sales@marl.co.uk
 website: www.marl.co.uk

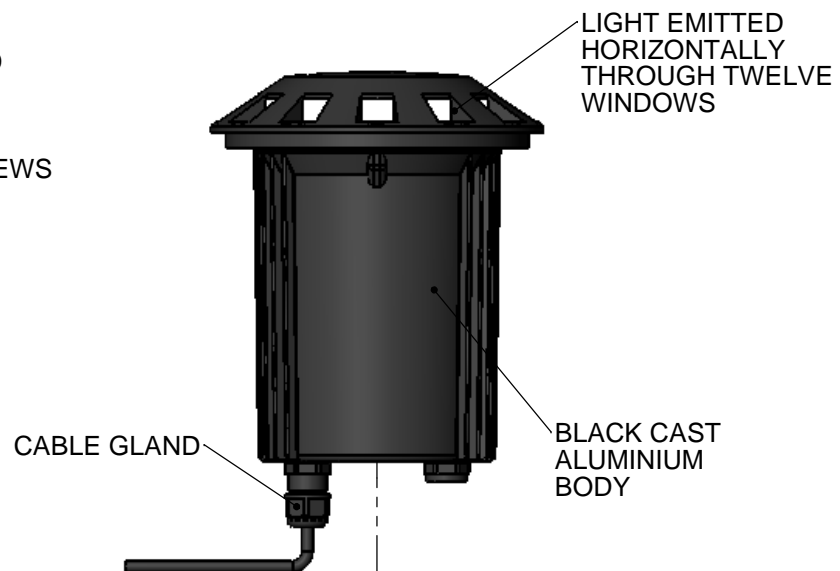
733 SERIES UPLIGHT FIXTURE



UPLIGHT FIXTURE SECURED TO GROUND SHROUD BY REMOVING BEZEL AND SECURE USING SUITABLE COUNTERSUNK SCREWS (NOT SUPPLIED)

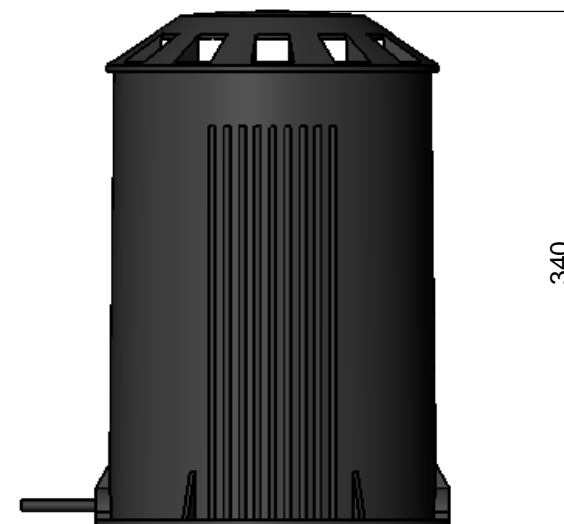


THE GROUND SHROUD MUST BE PLACED AT GROUND LEVEL. 300MM OF DRAINING GRAVEL MUST BE USED UNDER GROUND SHROUD AS A SOAK AWAY.



LIGHT EMITTED HORIZONTALLY THROUGH TWELVE WINDOWS

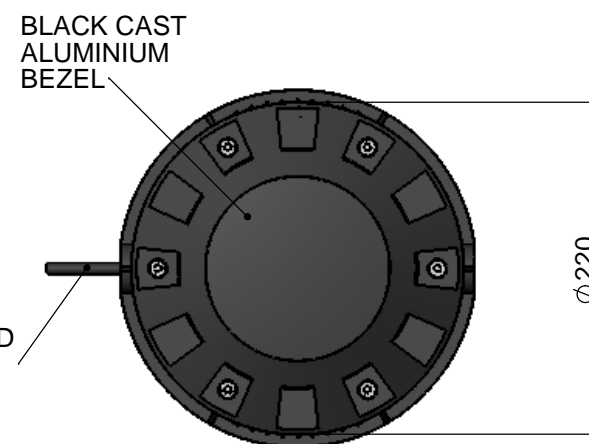
BLACK CAST ALUMINIUM BODY



340



BLACK PLASTIC GROUND SHROUD



BLACK CAST ALUMINIUM BEZEL

2M UN-TERMINATED FLYING LEAD

Ø 220

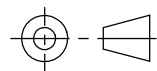
Part Number	Optic	LED Colour	LED part number
733-618-16-50	Medium	Cold white	NT-52D0-0429
733-619-16-50	Medium	Warm white	NT-52D1-0430
733-620-09-50	Medium	RGB	NT-53F0-0428

TOLERANCE/ SCALE UOS

LINEAR ± NA

ANGULAR ± NA

ORIGINAL SCALE 1:5



ALL DIMENSIONS

IN MM

DRN: NJK

DATE: 10.08.07

CHK1: *[Signature]*

CHK2: *[Signature]*



Benefits

- RGB colour mixing at source
- Industry leading efficacy from light engine
- Low power consumption
- Low maintenance
- Sealed to IP67
- UK manufacturing to ISO 9001

Applications

- Architectural lighting
- Pathway lighting
- Garden lighting
- Driveway lighting
- Feature lighting