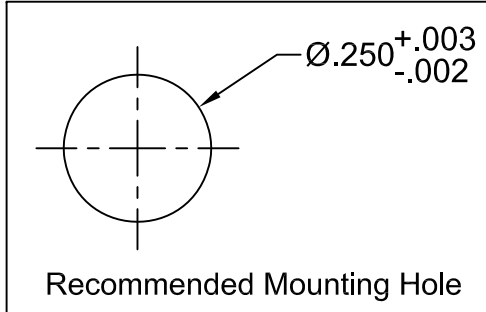
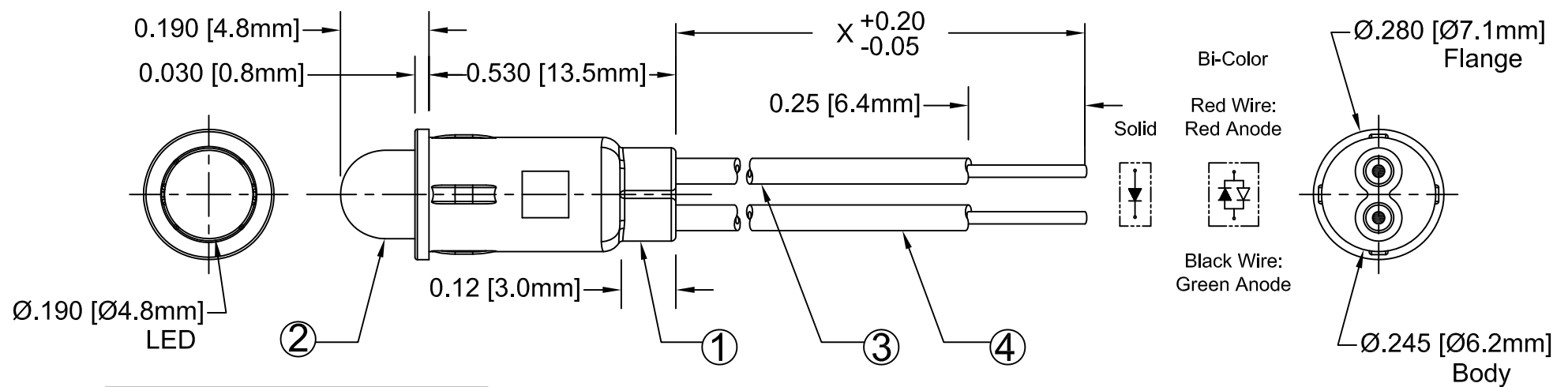


ITEM	Q'TY	PART NUMBER	PART DESCRIPTION
1	1	PM5	LED Holder, Panel Mount, Press Fit, (5mm)
2	1	5XX	T-1¼ (5mm) Non-Flange LED, See Page 2.
3	1	BWS24-1007-RD	24AWG Wire Lead U.L. 1007, Red
4	1	BWS24-1007-BK	24AWG Wire Lead U.L. 1007, Black

REV.	DESCRIPTION	DATE	APPROVED
A	Engineering Release	10/06/04	M. C.
B	Added Page 3	01/05/06	M. C.
C	Corrected Super Red PN	09/07/06	M. C.
D	Added PM5UGCWX.X Specs	03/02/09	T. Y.



EXAMPLE:
PM5RDW6.5*
 Wire Length "X"
 LED Color & Lens Appearance.
 Series

* X.X = Wire Length "X"



ABSOLUTE MAXIMUM RATINGS (Ta = 25°C)

REVERSE VOLTAGE	5V
REVERSE CURRENT (VR=5V)	100µA
OPERATING TEMPERATURE RANGE	-25°C ~ 85°C
STORAGE TEMPERATURE	-30°C ~ 100°C
LEAD SOLDERING TEMPERATURE (1/16" FROM BODY)	260°C for 5 Seconds

STANDARD TOLERANCE (UNLESS OTHERWISE SPECIFIED)		BIVAR®	
DECIMALS	ANGULAR	4 THOMAS, IRVINE, CA. 92618	
.X ± .1	X° ± 1°	TEL: (949) 951-8808 FAX: (949) 951-3974	
.XX ± .02		TITLE: T-1¼ (5mm) PANEL MOUNT ASSEMBLY	
.XXX ± .010		PART NO: PM5XXWX.X	
DESIGNED: David Green	DATE: 10/06/04	REVISION: D	
CHECKED: T. Yin	DATE: 10/06/04	CAGE CODE : 32559	SHEET # 1 OF 3
CAD GENERATED DOCUMENT, DO NOT MEASURE DRAWING.			


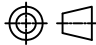
REV.	DESCRIPTION	DATE	APPROVED
	SEE SHEET#1.		

LED Assy. No.	Peak Wave Length λ_p (nm)	Emitted Color	Lens Appearance	Electro-Optical Data @ 20mA				Viewing Angle $2\theta_{1/2}$ (Deg)	LED P/N
				I _f (mA)	V _f (V)		I _v (mcd)		
				TYP	TYP	MAX	TYP		
PM5BWCWX.X	430	BLUE	WATER CLEAR	25	4.0	4.5	50	20	5BWC
PM5BWDWX.X	430	BLUE	DIFFUSED	25	4.0	4.5	20	45	5BWD
PM5BWTWX.X	430	BLUE	TINTED	25	4.0	4.5	50	20	5BWT
PM5UBWC.6KWX.X	470	BLUE	WATER CLEAR	30	3.8	4.0	600	25	5UBWC-0.6K
PM5GCWX.X	565	GREEN	WATER CLEAR	30	2.2	2.6	150	20	5GC
PM5GDWX.X	565	GREEN	DIFFUSED	30	2.2	2.6	70	45	5GD
PM5GTWX.X	565	GREEN	TINTED	30	2.2	2.6	150	20	5GT
PM5UGCWX.X	565	GREEN	WATER CLEAR	30	2.1	2.6	600	20	5UGC
PM5YCWX.X	585	YELLOW	WATER CLEAR	30	2.1	2.6	140	20	5YC
PM5YDWX.X	585	YELLOW	DIFFUSED	30	2.1	2.6	70	45	5YD
PM5YTWX.X	585	YELLOW	TINTED	30	2.1	2.6	140	20	5YT
PM5ACWX.X	610	AMBER	WATER CLEAR	30	2.2	2.6	70	20	5AC
PM5ADWX.X	610	AMBER	DIFFUSED	30	2.2	2.6	45	45	5AD
PM5ATWX.X	610	AMBER	TINTED	30	2.2	2.6	70	20	5AT
PM5HCWX.X	635	HE RED	WATER CLEAR	30	2.0	2.6	150	20	5HC
PM5HDWX.X	635	HE RED	DIFFUSED	30	2.0	2.6	80	45	5HD
PM5HTWX.X	635	HE RED	TINTED	30	2.0	2.6	150	20	5HT
PM5RCWX.X	655	RED	WATER CLEAR	40	1.7	2.0	15	20	5RC
PM5RDWX.X	655	RED	DIFFUSED	40	1.7	2.0	5	45	5RD
PM5RTWX.X	655	RED	TINTED	40	1.7	2.0	15	20	5RT
PM5SRCWX.X	660	SUPER RED	WATER CLEAR	20	1.7	2.6	350	20	5SRC
PM5SRDWX.X	660	SUPER RED	DIFFUSED	20	1.7	2.6	90	45	5SRD
PM5SRTWX.X	660	SUPER RED	TINTED	20	1.7	2.6	350	20	5SRT
PM5UWC.8KWX.X	X=.29 Y=.30	WHITE	WATER CLEAR	30	3.5	4.0	800	25	5UWC-0.8K
PM5WC2.730WX.X	X=.26 Y=.27	WHITE	WATER CLEAR	35	3.5	4.2	2700	30	5WC2.730
PM5BCWX.X	635	HE RED	WHITE DIFFUSED	45	2.0	2.6	45	50	5BC
	568	GREEN		30	2.2	2.6	45		

STANDARD TOLERANCE (UNLESS OTHERWISE SPECIFIED) $\pm 10\%$ ALL VALUES		 BIVAR [®] 4 THOMAS, IRVINE, CA. 92618 TEL: (949) 951-8808 FAX: (949) 951-3974	
ANGULAR X° ± 5°			
		TITLE: T-1 1/4 (5mm) PANEL MOUNT ASSEMBLY	
DESIGNED: David Green	DATE: 10/06/04	PART NO: PM5XXWX.X	REVISION: D
CHECKED: T. Yin	DATE: 10/06/04	CAGE CODE : 32559	SHEET # 2 OF 3
CAD GENERATED DOCUMENT, DO NOT MEASURE DRAWING.			

REV.	DESCRIPTION	DATE	APPROVED
	See Sheet # 1		

LED Part No.	Chip			Lens Appearance	Absolute Maximum Ratings				Electro-Optical Data @ 2mA			Viewing Angle (Deg)
	Material	Peak Wave Length λ_p (nm)	Emitted Color		$\Delta\lambda$ (nm)	Pd (mW)	If (mA)	Peak If (mA)	Vf (V)		Iv (mcd)	
									Typ.	Max.	Typ.	
5BWDL	GaN/SiC	430	BLUE	DIFFUSED	65	90	5	-	3.5	4.0	6.0	45
5PGDL	GaP/GaP	555	PURE GREEN	DIFFUSED	25	10	5	-	1.9	2.2	1.0	45
5GDL	GaP/GaP	565	GREEN	DIFFUSED	30	10	5	-	1.9	2.2	3.0	45
5YDL	GaAsP/GaP	585	YELLOW	DIFFUSED	35	10	5	-	1.9	2.2	3.0	45
5ADL	GaAsP/GaP	610	AMBER	DIFFUSED	35	10	5	-	1.9	2.2	6.0	45
5HDL	GaAsP/GaP	635	HE RED	DIFFUSED	45	10	5	-	1.8	2.2	3.0	45
5SRDL	GaAsP/GaAs	660	SUPER RED	DIFFUSED	40	10	5	-	1.9	2.2	15.0	45

STANDARD TOLERANCE (UNLESS OTHERWISE SPECIFIED) $\pm 10\%$ ALL VALUES		 BIVAR [®] 4 THOMAS, IRVINE, CA. 92618 TEL: (949) 951-8808 FAX: (949) 951-3974	
ANGULAR X° ± 1°			
		TITLE: T-1¼ (5mm) Panel Mount Assembly	
		DESIGNED: David Green	DATE: 10/06/04
CHECKED: T. Yin	DATE: 10/06/04	CAGE CODE : 32559	SHEET # 3 OF 3
CAD GENERATED DOCUMENT, DO NOT MEASURE DRAWING.			