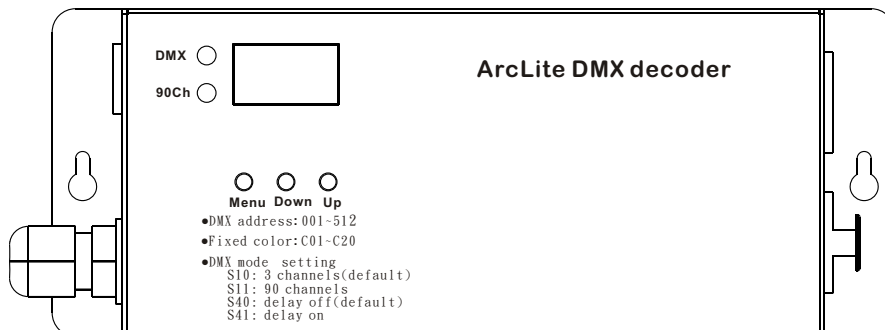




ARCLITE DMX decoder



Version: 1.0

USER MANUAL FOR Arclite DMX decoder



CAUTION!

*Keep this driver away from rain and moisture
Unplug mains lead before opening the housing*

Read the instructions carefully before you install start-up!

1. SAFETY INSTRUCTION

Every person involved with installation and maintenance of the this device has to :

- be qualified.
- following the instructions of manual



CAUTION!

*Be careful with your operations.
You can suffer a dangerous electric shock when touch the wires inside the unit.*

This device has left our premises in absolutely perfect condition. In order to maintain this condition and to ensure a safe operation, it is absolutely necessary for the user to follow the safety instructions and warning note written in this manual.

Important

Damages caused by the disregard of this user manual or unauthorized modification to products are not subject to warranty

Please make sure that there are no obvious transport damages. Please immediately contact the local dealers as the fixture is in fault operation or damage.

Always plug in the power plug last. The power plug must always be inserted with force. Make sure the plug is tightly connected with outlet.

If extension cords are used make sure that the core diameter is sufficient for required power consumption of the device. All warnings concerning the power cords are also valid for possible extension cords.

Do not block any of ventilation openings.

Do not open the fixture and try to repair the fixture personally.

2. OPERATION DETERMINATIONS

The device must only be used indoor.

If the unit has been exposed to drastic temperature, do not switch it on immediately.

The arising condensation water might damage your unit. Leave the unit switched off it has reached room temperature.

Only operate the unit after having checked the housing is firmly closed and all screws tightly fastened. Do not shake the device. Avoid brute force when installing or operating the device.

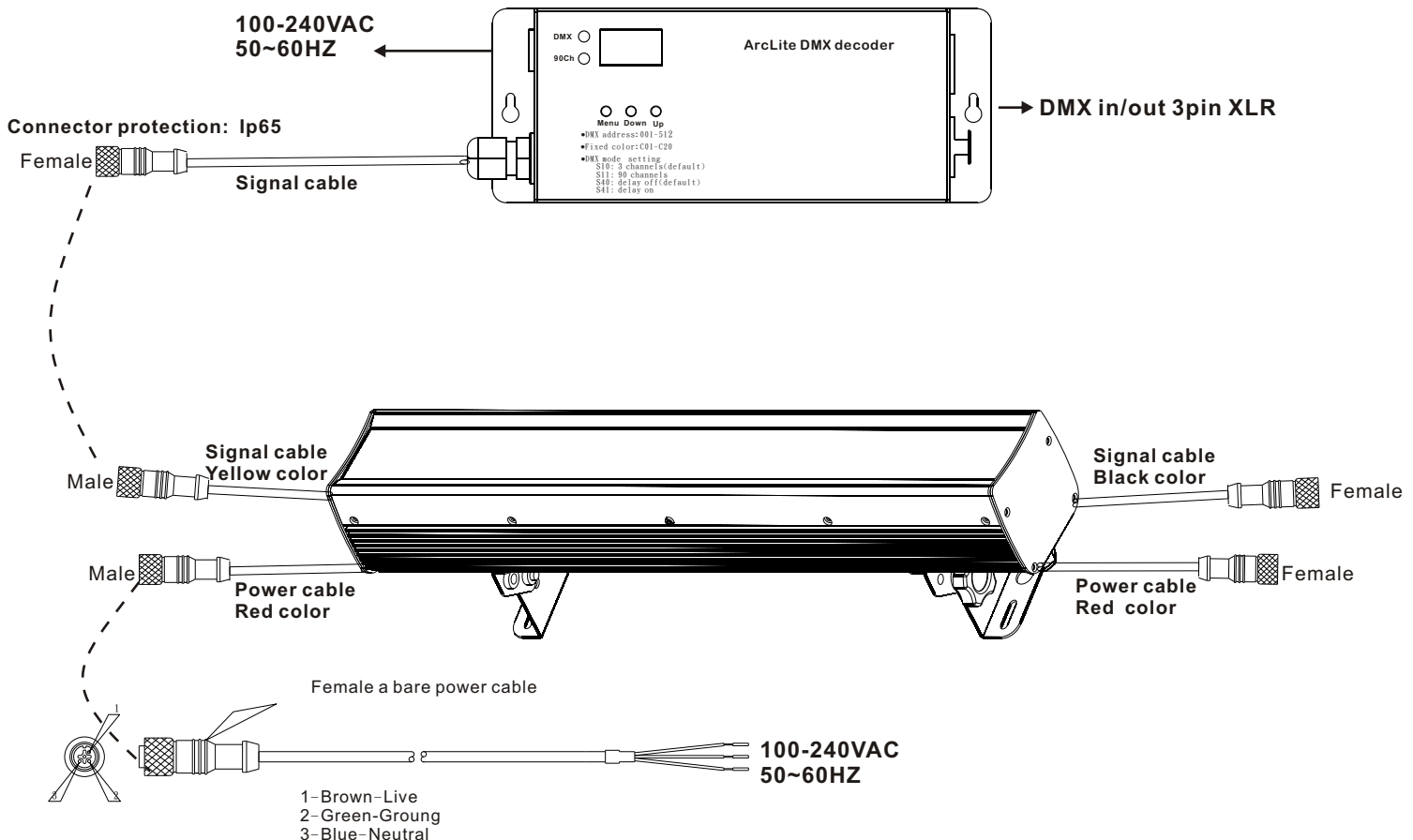
Operate the device only after having familiarized with its functions. Do not permit operation by persons not qualified for operating the device.

Most damages are the result of unprofessional operation!

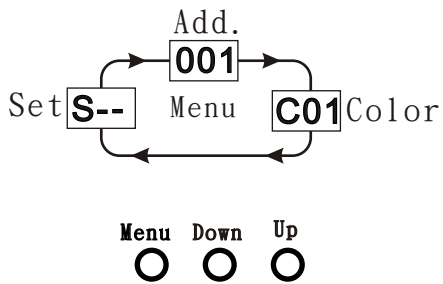
The maximum ambient temperature 40 degree must never be exceeded.

Please consider that unauthorized modifications on the device are forbidden due to safety reasons!

Description of Arclite DMX decoder/Line 18



5. OPERATION



1. DMX add. Setting

DMX Address: press **Menu**. the display shows the initial DMX address.
Press **up** and **down** to select the desired address from **001-512**

2. Fixed color

Fixed color: there are 20 built-in fixed colors in the AD-100
Press **Menu**. The display shows C01
Press **up** and **down** to select the desired color from C01~C20

3. **DMX Mode setting:** the following mode can be selected by press **menu** to confirm it.

Press **Menu**. the display shows **S---**
Press **up** and **down** to select the desired program from **S10~S41**
Finally, Press **menu** again to confirm it.

S10: 3 channels (default).
S11: 90 channels
S40: Delay off (default).
S41: Delay on

NOTE: the function of **delay on** is designed for running slow, and free-flicker program.
The response speed of LEDs is slower than normal.
Thus, all drivers must be set on the same mode(delay on or off) as connecting together ,otherwise, the program does not run synchronously.

6. Technical Specification of Arclite Line 18

Specification:

Electrical:

Power supply: 100-240VAC, 50~60Hz

Power consumption: 25W

Built-in power supply

Meet CE safety standard

Source & Optics:

LED: 18 x 1W (RGB, or any single color available)

Life time: Estimated 100,000 hours when color changing

Total Lumens(3M): R300 G515 B50 W860

Communication:

DMX 512(1990)

Arclite DMX decoder (Ad100) required

Environment:

Operating temperature: -10~40degree

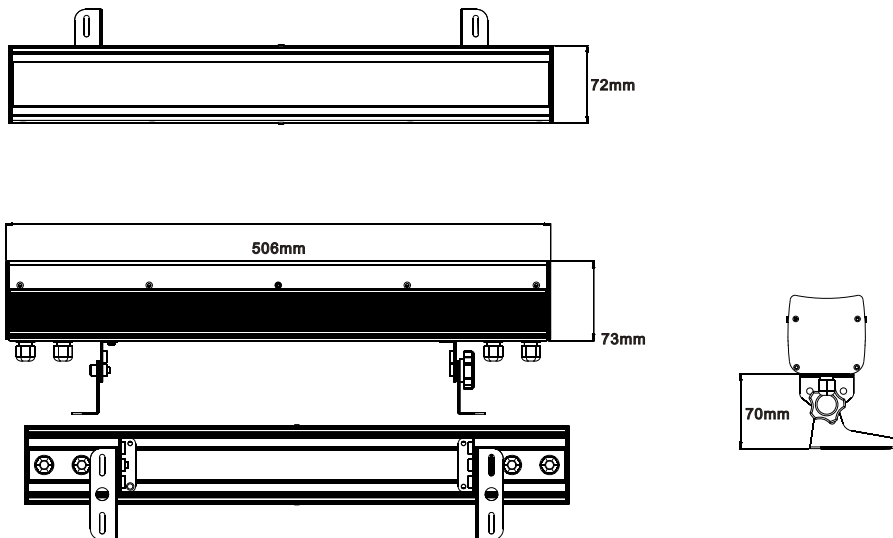
Housing:

Finish: First grade aluminum housing in black color

Dimensions(mm): 506 x 72 x 73

Weight: 2.4Kg

Protection: Ip65



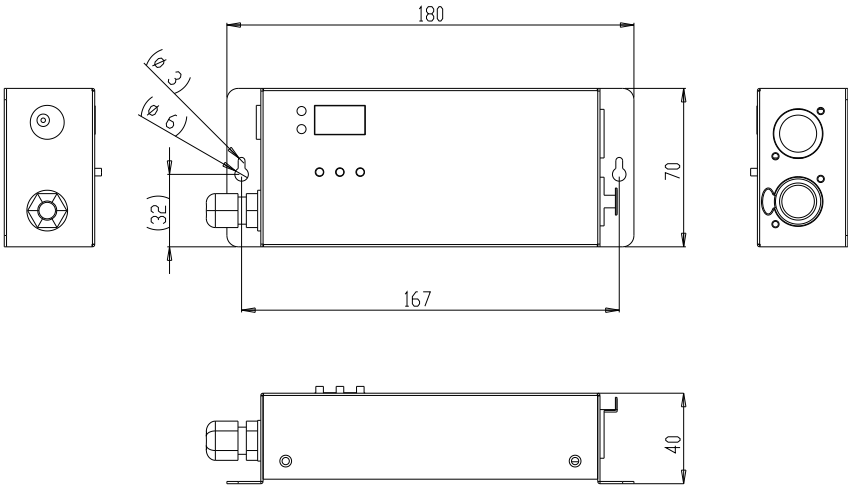
6. Technical Specification of Arclite Line 18

Function

DMX512(1990): RGB 3 Channel
DMX address automatically
Decoding up to 30 pieces
20 Built-in fixed color
Delay on (free-fliker function)

Specification

Power supply: AC100~240V
3 digital display
DMX 512(1990): 3pin XLR connector
Dimensions(mm): L180mm xW70mm x H40mm
Finish: Metal housing in black color



ColorBeamCO., LTD

**Room 416, 4F., No. 83-5, Minguang E. Rd., Taoyuan 33052,
Taiwan**

TEL; +886 3 3367716

FAX: +886 3 3313386

E-mail: sales@colorbeam.com Website: www.colorbeam.com