

## ArcLite DMX Decoder (AD-100)

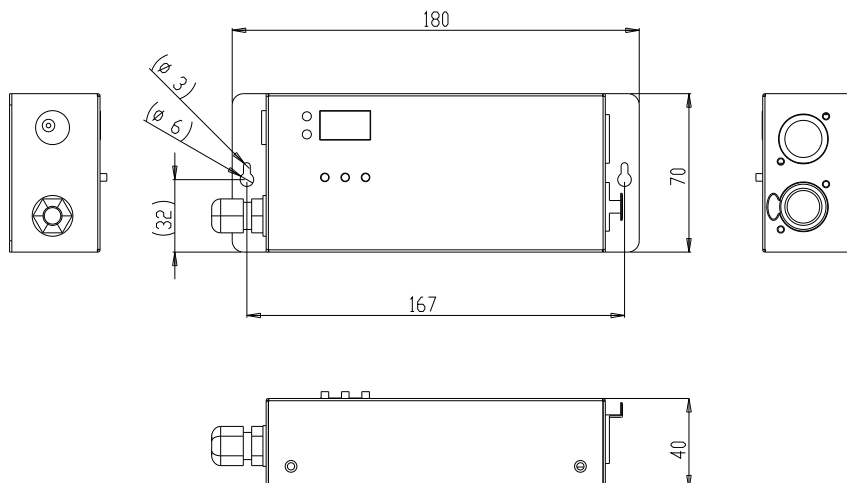


### Function

DMX512(1990): RGB 3 Channel  
 DMX address automatically  
 Decoding up to 30 pieces  
 20 Built-in fixed color  
 Delay on (free-flicker function)

### Specification

Power supply: AC100~240V  
 3 digital display  
 DMX 512(1990): 3pin XLR connector  
 Dimensions(mm): L180mm xW70mm x H40mm  
 Finish: Metal housing in black color



# Wiring diagram

