



Coloray Line 48II(CL-48II)



Function

DMX 512 address setting
20 built-in fixed color
9 built-in fade effect
adjustable mode RGB or RGB, strobe, dim 5 channel
Master/Slave
Delay on(free-fliker function)

Specification

Electrical:

Power requirement: 100-240VAC, 50-60HZ
Power consumption: 48W at full intensity
Meets CE safety standards

Source & Optics:

LEDs: 16 x 1W Red/ 16 x 1W Green/ 16 x 1W Blue
Lens Beam Angle: Standard 25 degree
Life time: estimated 100,000 hours when color changing
Total Lux(3M): R323 G 742 B 97 W1245

Communication:

DMX512(1990): RGB 3 channels

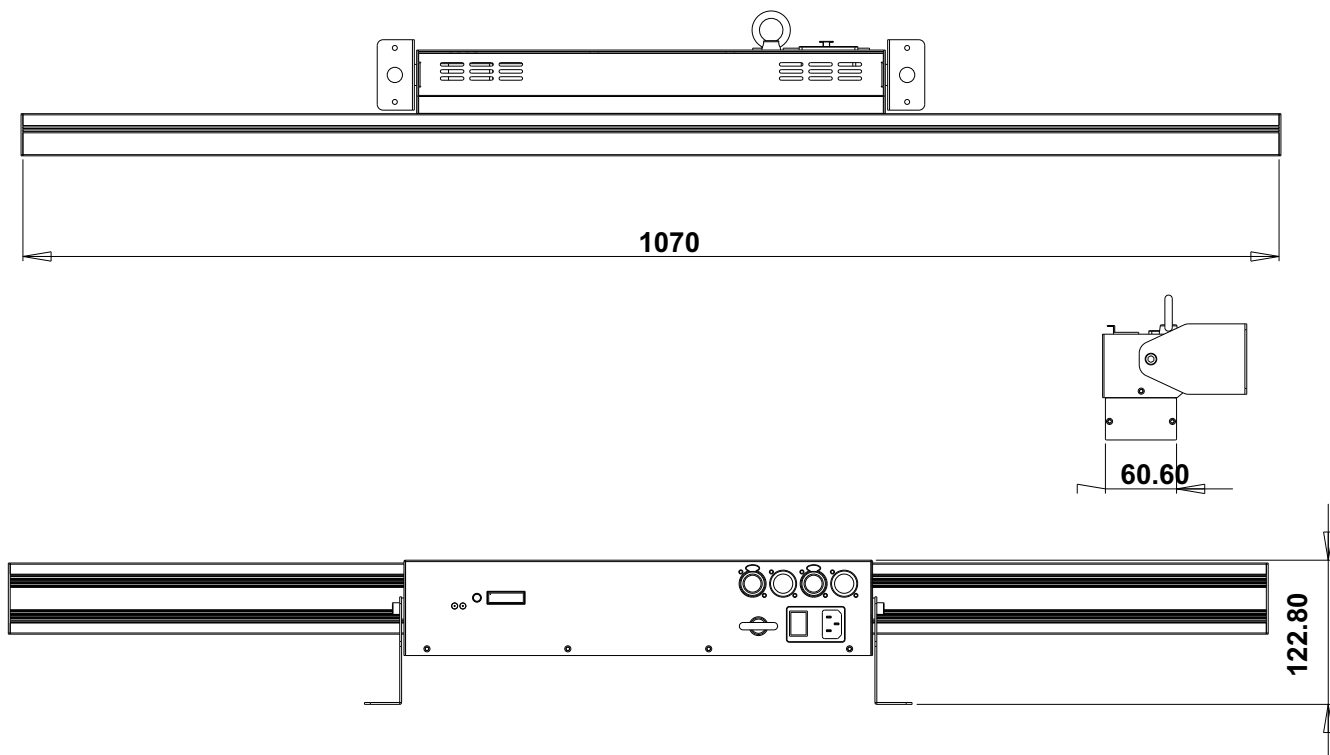
Environment:

Operating temperature: -10~40 degree

Housing:

Finish: Metal body in black color
Dimension(mm): L1071 x W 60.6 x H 35.9
Weight: 4Kg
Protection: Ip20

Dimension(mm):



Wiring diagram

