



Moon linear (MLL-18)



Specification

Electrical:

power Consumption: 21W max at full intensity
compatible driver: Coloray drive 25/50/100/200

Source & optics:

LEDs: (RGB) 6 x 1W Red/ 6 x 1W Green/ 6 x 1W Blue
(Single color) Red/Green/Blue/White/Warm white/Amber
Beam angle: 15, 25 and 25x50 degree available
Life time: estimated 25,000 at full power
Total Lux(1M): R70 G 80 B32 W182

Communication:

DMX 512(1990): RGB 3 channels

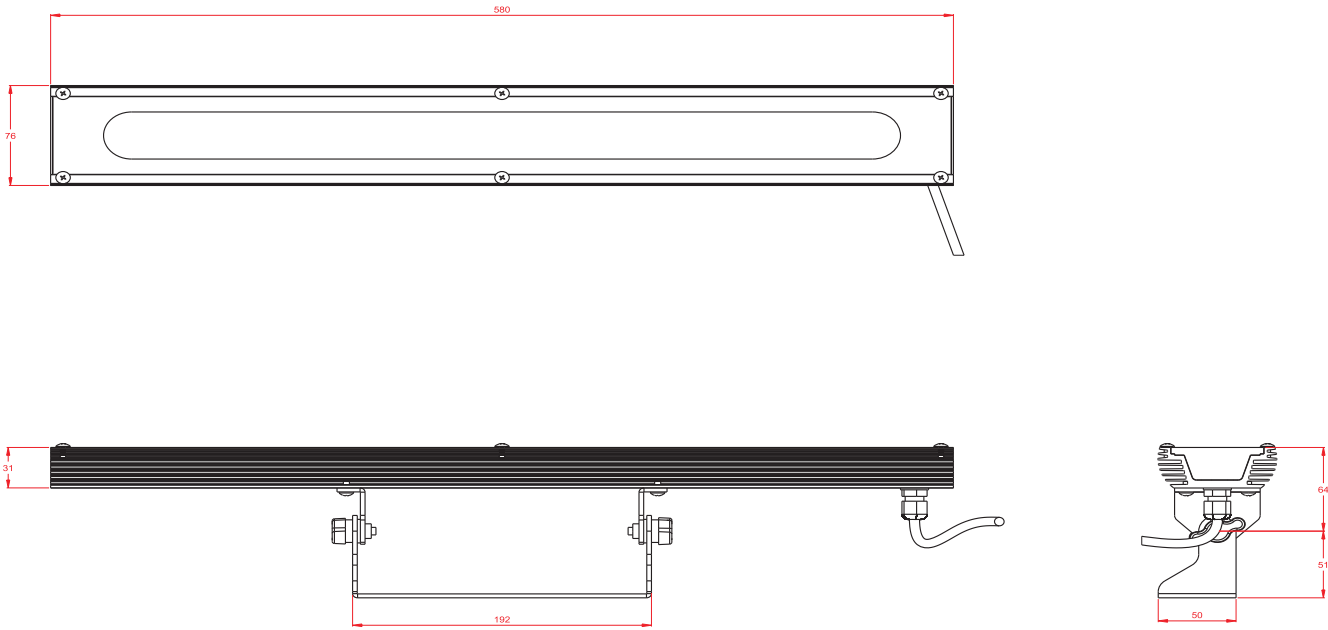
Environment:

Operating temperature: -10~40 degree

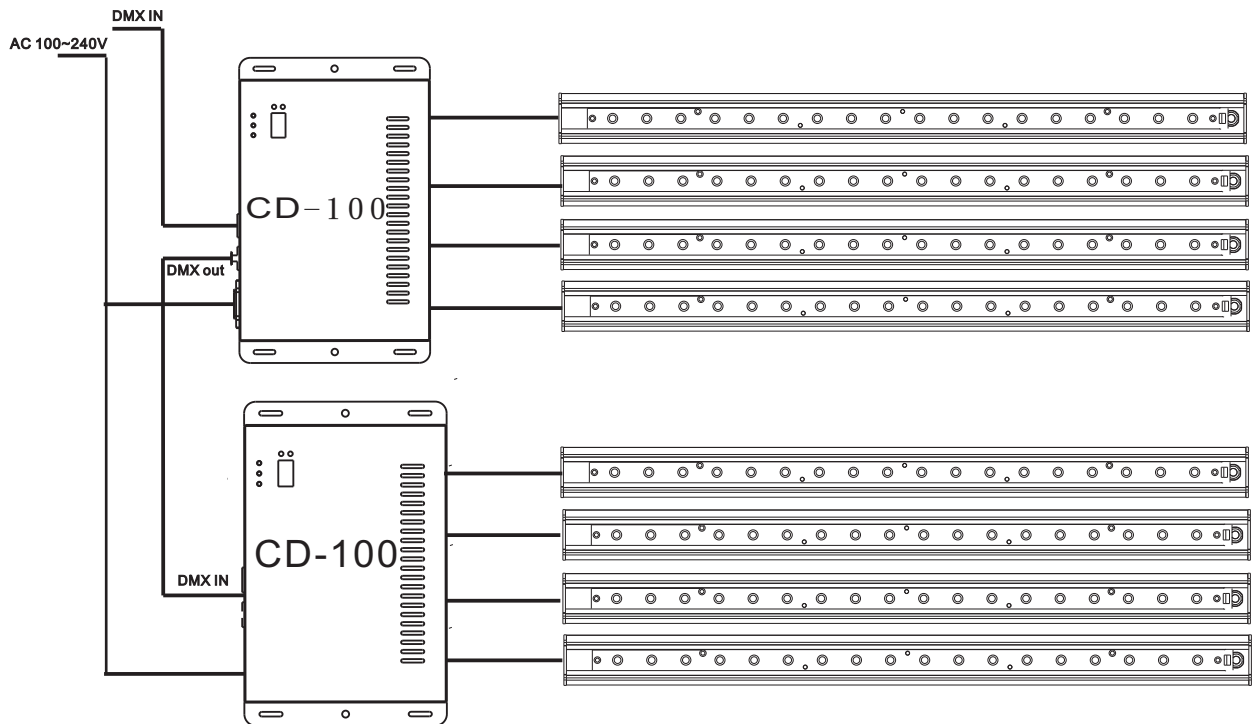
Housing:

Finish: First grade aluminum housing in black color
Exit cable: 2M with Rj45 connector
Dimensions(mm): L580xW75xH30
Weight: 2.1Kg
Protection: IP65

Dimension (mm)

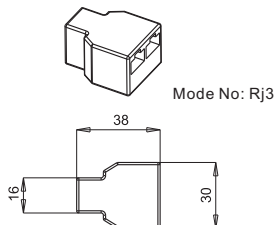


Wiring Diagram



Accessory

Splitter



Extension connector

