



PixelBar 36



Version: 1.0

USER MANUAL FOR Pixelbar 36



CAUTION!

*Keep this driver away from rain and moisture
Unplug mains lead before opening the housing*

Read the instructions carefully before you install start-up!

1. SAFETY INSTRUCTION

Every person involved with installation and maintenance of the this device has to :

- be qualified.
- following the instructions of manual



CAUTION!

*Be careful with your operations.
You can suffer a dangerous electric shock when touch the wires inside the unit.*

This device has left our premises in absolutely perfect condition. In order to maintain this condition and to ensure a safe operation, it is absolutely necessary for the user to follow the safety instructions and warning note written in this manual.

Important

Damages caused by the disregard of this user manual or unauthorized modification to products are not subject to warranty

Please make sure that there are no obvious transport damages. Please immediately contact the local dealers as the fixture is in fault operation or damage.

Always plug in the power plug last. The power plug must always be inserted with force. Make sure the plug is tightly connected with outlet.

If extension cords are used make sure that the core diameter is sufficient for required power consumption of the device. All warnings concerning the power cords are also valid for possible extension cords.

Do not block any of ventilation openings.

Do not open the fixture and try to repair the fixture personally.

2. OPERATION DETERMINATIONS

The device must only be used indoor.

If the unit has been exposed to drastic temperature, do not switch it on immediately.

The arising condensation water might damage your unit. Leave the unit switched off it has reached room temperature.

Only operate the unit after having checked the housing is firmly closed and all screws tightly fastened. Do not shake the device. Avoid brute force when installing or operating the device.

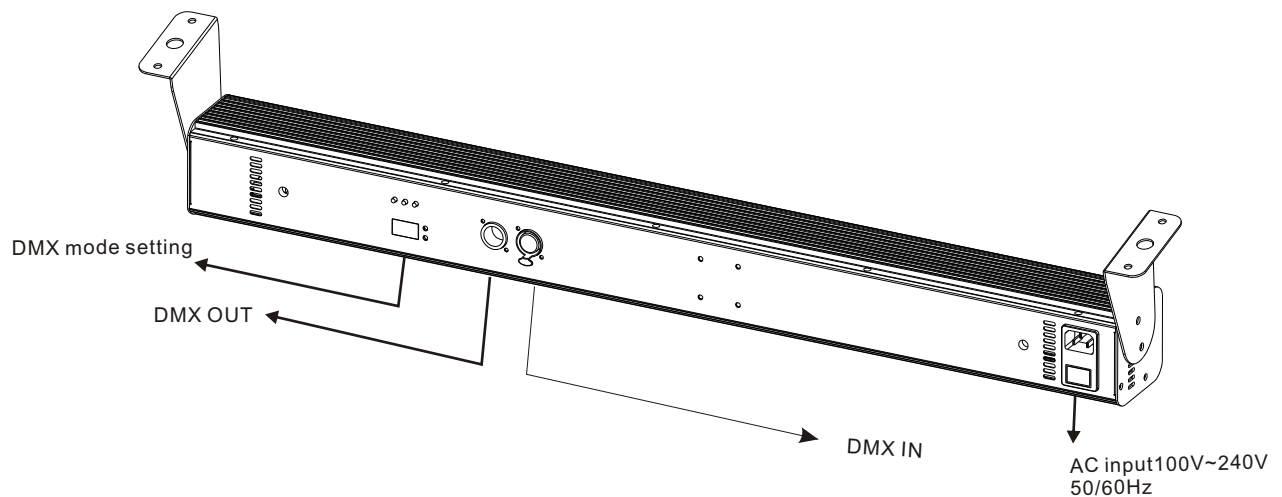
Operate the device only after having familiarized with its functions. Do not permit operation by persons not qualified for operating the device.

Most damages are the result of unprofessional operation!

The maximum ambient temperature 40 degree must never be exceeded.

Please consider that unauthorized modifications on the device are forbidden due to safety reasons!

Description of Pixelbar 36



3. INSTALLATION

Unplug from the mains before installation
Fix the fixture with bracket
Connect the AC power cord to the socket

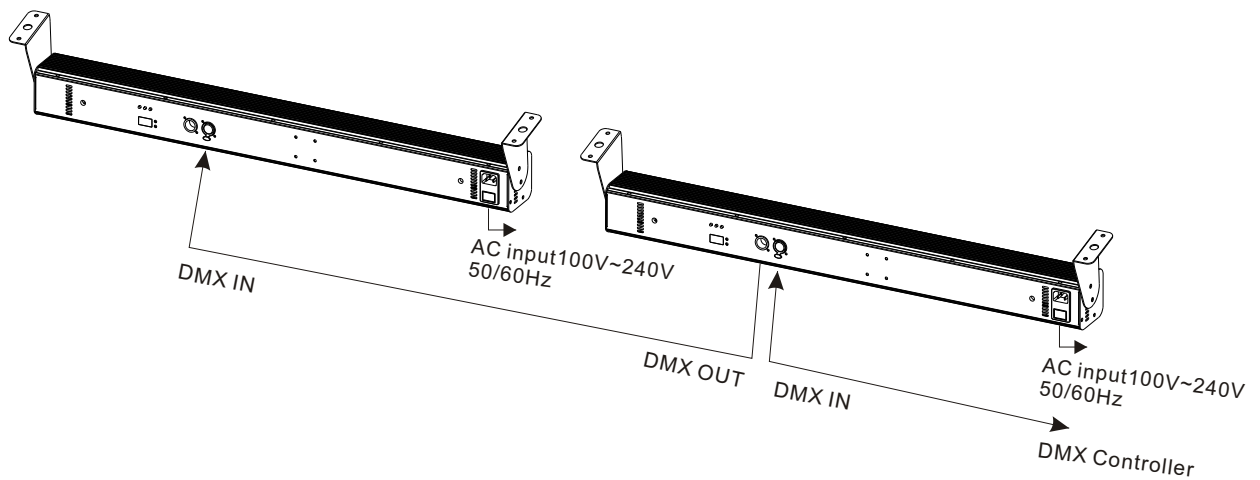
4. SIGNAL INDICATORS

Receive DMX signal: the green light emitting diode shows when the lighting fixtures receive signal.

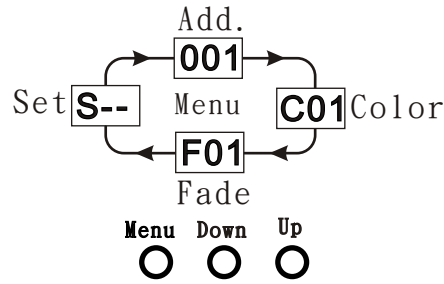
Receive 90 Ch signal: the green light emitting diode shows when the lighting fixture are set by 90Ch.

Wiring Diagram

Wiring diagram



5. OPERATION



1. DMX add. Setting

DMX Address: press **Menu**. the display shows the initial DMX address.
Press **up** and **down** to select the desired address from **001-512**

2. Fixed color

Fixed color: there are 20 built-in fixed colors in the Pixelbar 36
Press **Menu**. The display shows C01
Press **up** and **down** to select the desired color from C01~C20

3. Fade program

Fade program: there are 9 built-in fade programs in the Pixelbar 36
Press **Menu**. the display shows **F01**
Press **up** and **down** to select the desired program from **F01~F09**
The fade time of program can be changed from 01~99%(0.5~50sec).

E.g:F03 is running. The fade time can be change by press **menu** and **hold** for 3 sec.
The display will show **S----** The fade time can be adjusted to **01~99%**.by press **Up** and **down** and press Menu again to confirm.

4. **DMX Mode setting:** the following mode can be selected by press **menu** to confirm it.

Press **Menu**. the display shows **S---**

Press **up** and **down** to select the desired program from **S01~S41**
Press **menu** again to confirm it.

- S10: Control all of LED fixtures in the same channel (default).
- S11: Control all of LED fixtures independently
- S20: Master off (default).
- S21: Master
- S30: RGB 3 channels (default).
- S31: RGB dimming, strobe 5 channels
- S40: Delay off (default).
- S41: Delay on

NOTE: the function of **delay on** is designed for running slow, and free-flicker program.
The response speed of LEDs is slower than normal.
All drivers must be set on the same mode(delay on or off) as connecting together ,otherwise, the program does not run synchronously.

The slave drivers must be set **add. 001** when running Master/Slave function.

6. Technical Specification of PixelBar 36

Specification

Electrical:

Power supply: 100-240VAC, 50~60Hz
Power consumption: 36W
Built-in power supply
Meet CE safety standard

Source & Optics:

LEDs: 12 x 1W Red/ 12 x 1W Green/ 12 x 1W Blue
Lens Beam Angle: Standard 25 degree
Life time: estimated 100,000 hours when color changing
Total Lux(3M): R312 G713 B92 W1157

Communication:

DMX512(1990): 3-pin XLR

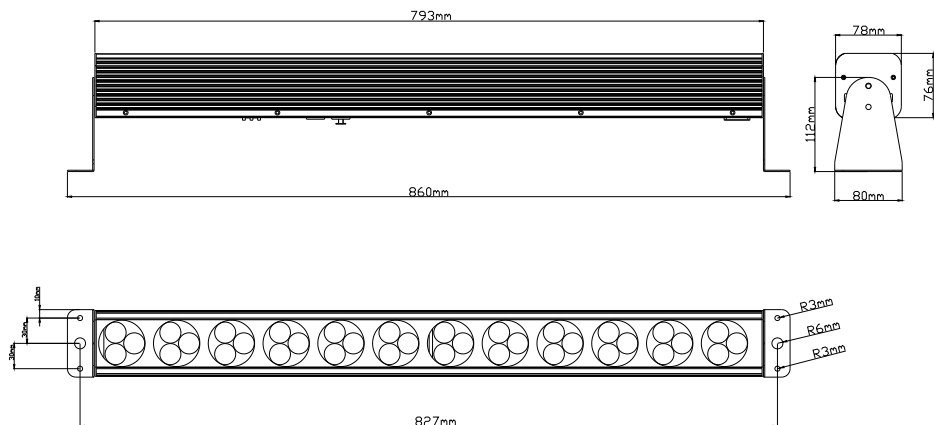
Environment:

Operating temperature: -10~40degree

Housing:

Finish: First grade aluminum housing in black color
Dimensions(mm): 793L x 78W x 76H
Weight: 3.5Kg
Protection: Ip65

Dimension(mm)



ColorBeamCO., LTD

**Room 416, 4F., No. 83-5, Minguang E. Rd., Taoyuan 33052,
Taiwan**

TEL; +886 3 3367716

FAX: +886 3 3313386

E-mail: sales@colorbeam.com Website: www.colorbeam.com