

Benefits

- Up to three times longer life at approximately half the energy consumption of conventional sources.
- Significantly longer life leads to reduced maintenance and material costs.
- Low profile, flat lens to reduce glare.
- Good color rendering for enhanced visibility and safety.
- Choice of mounting options to meet a variety of architectural forms in horizontal and vertical positions.
- Instant on/instant re-strike.
- Applications include canopy lighting in motor fuel dispensing facilities covered under NEC Article 514

FLB SP001
Nov 2009

Flat LowBay

Combining superior performance and energy efficiency with style. Typical applications include warehouse, stockroom, parking garage and other large volume facilities requiring wide distribution of glare free, low maintenance light.

Mounting options include pendant, surface or sloped conditions. The wide range power supply does not require special ballast or voltage considerations.

Features


Lumen Output	6760
Input Power	86 Watts
Efficacy	79 (lm/w)
Color Temperature (CCT)	6145K
Color Rendering Index (CRI)	75
Rated Life	50,000 Hours 70% Lumen Maintenance

Controls	
Occupancy Sensor	Hi/Low 50% Output Power
Housing	Anodized Aluminum
Included standard	Black
Lens	Clear Polycarbonate
Mounting Options	Surface Mount Pendant Mount
Dimensions	14"x 14"x 3.063" w/o PSU 356 x 356 x 77.8mm w/o PSU 14"x 14"x 6.27" w/ PSU 356 x 356 x 159.37mm w/ PSU
Power Supply	5" x 4.4" x 1.84" 127 x 112 x 47mm

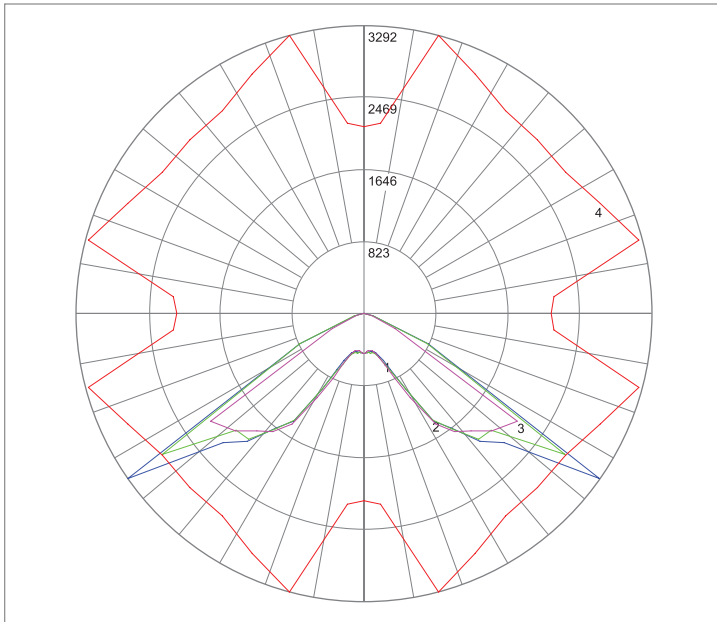
Operating Temperature	-40°C to +40°C
Voltage	100-277 Volts AC @ 50-60 Hz
Weight	28lbs w/PSU
Warranty	5 Year Limited
Certification	



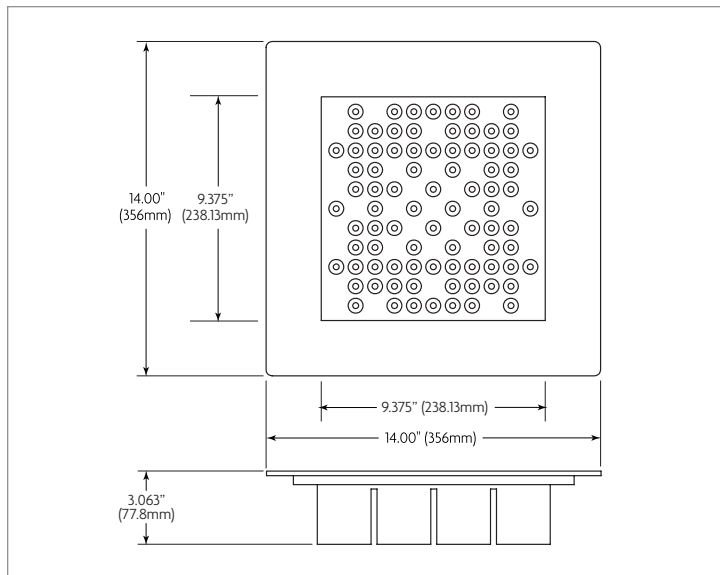
Power Supply	
--------------	---

Environment	IP66 
-------------	--

Flat LowBay



Maximum Candela = 3292 Located At Horizontal Angle = 75, Vertical Angle = 55
 # 1 - Vertical Plane Through Horizontal Angles (75 - 255) (Through Max. Cd.) : BLUE
 # 2 - Vertical Plane Through Horizontal Angles (45 - 225) : GREEN
 # 3 - Vertical Plane Through Horizontal Angles (0 - 180) : MAGENTA
 # 4 - Horizontal Cone Through Vertical Angle (55) (Through Max. Cd.) : RED



Dimensions shown in inches (mm)



Lighting Science Group Corporation
 1227 S. Patrick Drive BLDG 2A
 Satellite Beach, FL 32937
 t: 877-999-5742
 www.lsgc.com

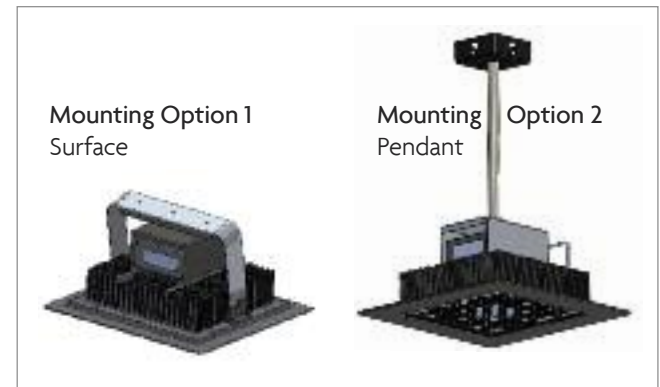
Specifications subject to change.

Luminance Data (cd/sq.m)

Angle In Degrees	Average 0°	Average 45°	Average 90°
45°	45,525	46,208	44,519
55°	71,030	79,480	72,833
65°	28,933	66,191	36,971
75°	8,259	12,252	9,669
85°	7,067	9,014	8,857

Zonal Lumen Summary

Zone	Lumens	% Fixt
0-30	532.5	7.9
0-40	1435	21.2
0-60	5165	76.4
0-90	6764	100
60-90	1598	23.6
0-180	6764	100.0



The Flat Lowbay Fixtures are acceptable as lighting solutions for canopy lighting in motor fuel dispensing facilities covered under NEC Article 514; see LSG installation instructions for proper mounting.

©2009 Lighting Science Group Corporation. All rights reserved.



Flat LowBay

Ordering Information

Example: FLB CW CLR SRF BLK

Product	Color Temperature	Lens	Mounting	Housing Color	Options
FLB Flat LowBay	CW Cool White	CLR Clear	SRF Surface PND Pendant	BLK Black (Standard) CU Custom Color ¹	CS Occupancy Sensor

1. Please contact a representative for available options and lead times.



Lighting Science Group Corporation
1227 S. Patrick Drive BLDG 2A
Satellite Beach, FL 32937
t: 877-999-5742
www.lsgc.com