



Benefits

- Reduced energy consumption and operating costs by up to 73%.
- Maintenance free operation - lasts up to 25 times longer than conventional lighting.
- Cool beam- No UV or IR, reduces air conditioning loads.
- Unique design with anodized silver housing for cooler operation and extended lamp life.
- Environmentally friendly – fully recyclable, no mercury or other hazardous materials.

MR16 G2 SP003
Oct 2009

SōL™ MR16 Lamp

Patented design houses an integrated LED system for optimum lifetime performance. Significant energy savings compared to conventional MR lamps. Bi-pin base for new and retrofit installations. Free of harmful UV and IR emissions.

Available in 32° beam distribution in both warm and cool color temperatures with good color quality.

Features

Generation 2

Lumen Output

Warm White	200
Cool White	250

Power Consumption

Warm White	5 Watts
Cool White	5 Watts

Efficacy

Warm White	40 (lm/w)
Cool White	50 (lm/w)

Color Temperature

Warm White	2950K
Cool White	6000K

Color Rendering Index (CRI)

Warm White	77
Cool White	80

Center Beam (candelas)

Warm White	399
Cool White	533

Beam Spread

<i>Flood</i>	32°
--------------	-----

Equivalent Source	20 Watt Halogen Lamp
-------------------	----------------------

Rated Life	35,000 Hours
------------	--------------

70% Lumen Maintenance

Housing	Anodized
---------	----------

Operating Temperature	-40°C to +45°C
-----------------------	----------------

Voltage	12 Volts AC/DC @ 50-60 Hz
---------	---------------------------

Weight	1.6 oz
--------	--------

Warranty	3 Year Limited
----------	----------------

Certification



Environment



US Patent D538, 951

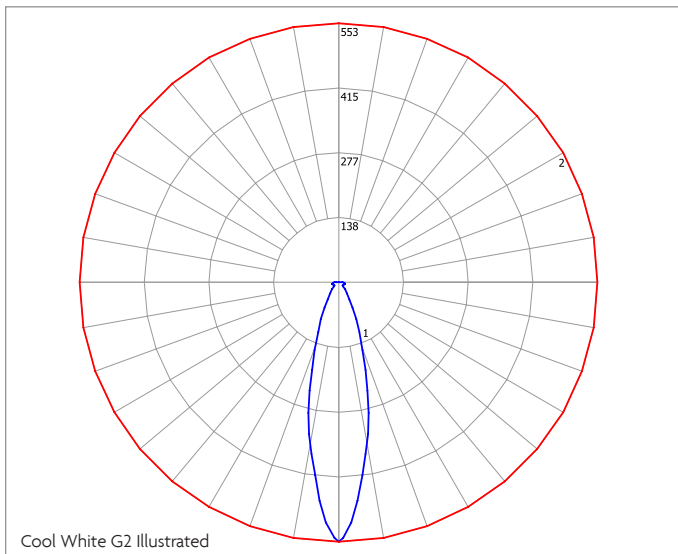


SōL™ MR16 Lamp

Ordering Information

Example: SOL MR16 WW FL G2

Family	Product	Color Source	Beam Spread	Generation
SOL	MR16 MR16	CW Cool White	FL Flood	G2 2nd Generation
		WW Warm White		



Cool White G2 Illustrated

Maximum Candela = 553 Located At Horizontal Angle = 0, Vertical Angle = 0
 # 1 - Vertical Plane Through Horizontal Angles (0 - 180) (Through Max. Cd.) Blue
 # 2 - Horizontal Cone Through Vertical Angle (0) (Through Max. Cd.) Red

Cautions:

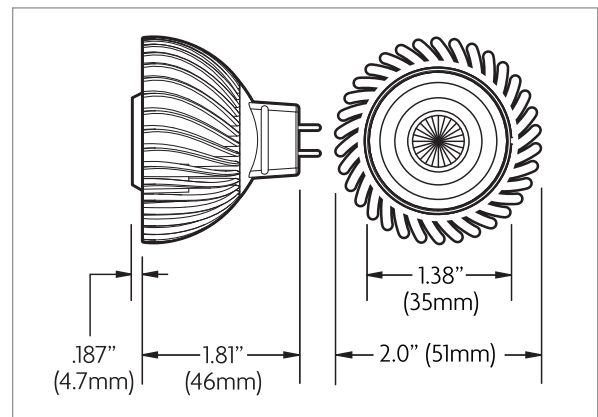
- Turn power off before inspection, installation, or removal.
- Not for use with dimmers.
- Indoor use only.
- Not for use where exposed to the weather.
- Not for use in insulated ceiling applications.
- Not for use with electronic transformers.
- Do not use where directly exposed to water – Risk of electric shock.
- Do not open – no user serviceable parts inside.
- This device is not intended for use with emergency exit fixtures or emergency exit lights.

Luminance Data (cd/sq.m)

Angle In Degrees	Average 0°	Average 45°	Average 90°
45°	18,858	18,858	18,858
55°	13,994	13,994	13,994
65°	18,555	18,555	18,555
75°	28,702	28,702	28,702
85°	38,218	38,218	38,218

Zonal Lumen Summary

Zone	Lumens	% Lamp	% Fixt
0–30	145.74	N.A.	57.5
0–40	167.85	N.A.	66.3
0–60	191.08	N.A.	75.4
0–90	235.14	N.A.	92.8
90–120	3.83	N.A.	1.5
90–130	3.83	N.A.	1.5
90–150	3.83	N.A.	1.5
90–180	18.17	N.A.	7.2
0–180	253.32	N.A.	100.0



Dimensions shown in inches (mm)



Lighting Science Group Corporation
 1227 S. Patrick Drive BLDG 2A
 Satellite Beach, FL 32937
 t: 609-265-1401
 www.lsgc.com

Specifications subject to change.