



## Nissi 50 LV LED Recess

The Nissi range of spotlights cover the full range of Halogen replacement spots up to 35W. The bespoke design uses a unique reflector system in combination with 3 different lenses to control the beam angle of 10, 25 or 45 degrees. In combination with a high Power multichip, this design mimics the same look, feel and sparkle as you are used to using a Halogen light bulb.

Nissi recessed fixtures are available in a wide variety of options, such as recessed fittings with square or round bezel, and in titan finish or brushed aluminium. The fixtures are standard delivered as a Class III device without a driver. Drivers are available on request.

### Features

#### Lumen Output

Warm White	240 lm (CREE MCE)
Neutral White	300 lm (CREE MCE)

#### Power Consumption

Warm White	8W
Neutral White	8W

#### Efficacy

Warm White	30 (lm/w)
Neutral White	37,5 (lm/w)

#### Colour Temperature (CCT)

Warm White	3000K
Neutral White	4000K

#### Colour Rendering Index (CRI)

Warm White	84
Neutral White	80

#### Beamangle

	10°	25°	45°
Warm White	822 cd	661 cd	249 cd
Neutral White	1061 cd	921 cd	454 cd

<b>Rated Life</b>	35,000 Hours @ 70% Lumen Maintenance
-------------------	---

<b>Finishing</b>	Brushed aluminium / Titanium
------------------	------------------------------

<b>Lens</b>	Polycarbonate
-------------	---------------

<b>Housing</b>	Aluminium
----------------	-----------

<b>Operating Current</b>	600mA
--------------------------	-------

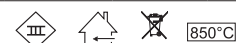
<b>Safety Standards</b>	IEC 60598   EN 62471
-------------------------	----------------------

<b>Operating Temperature</b>	0°C to + 40°C
------------------------------	---------------

#### Certification



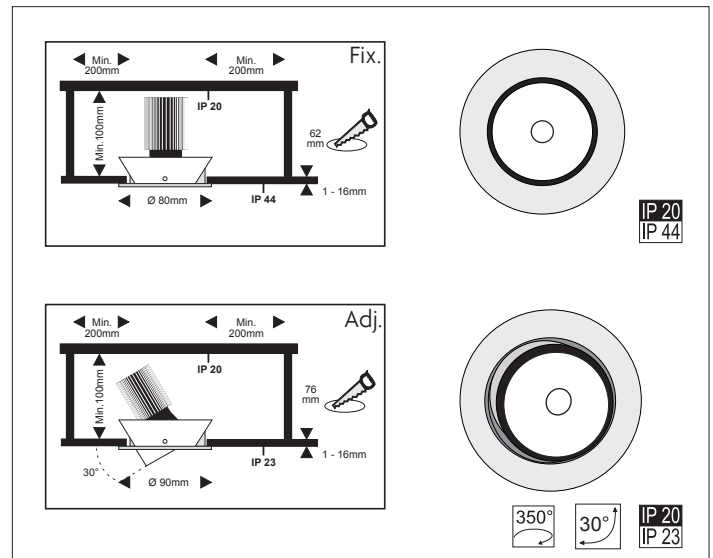
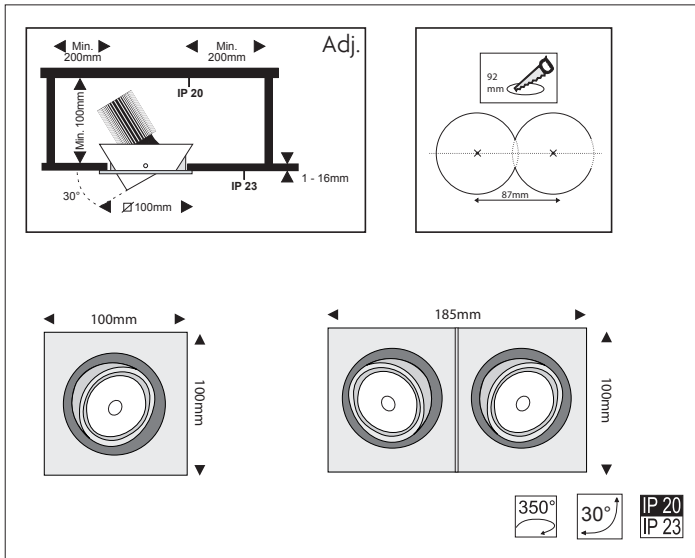
#### Symbols



### Benefits

- Replaces up to 35W Halogen fixture
- Works on a dimmable or non-dimmable constant current driver up to 600 mA
- Halogen look and feel due to specifically designed reflectors and optics
- Consumes up to 50% less energy than traditional halogen light sources
- Lifetime up to 20 times longer than halogen light sources

# Nissi 50 LV LED Recess



## Ordering Information

Example: NIS50 REC ADJ RND 1L 25 NW ALU

Product	Mounting	Fixed / Adjustable	Fixture Shape	Version	Beam Angle	Colour Temperature	Finishing
NIS50 Nissi50	REC Recess	FIX Fixed	RND Round	1L 1-light	10 10°	NW Neutral White	ALU Brushed Aluminium
		ADJ Adjustable	SQU Square	2L* 2-lights	25 25°	WW Warm White	TIT Titanium

45 45°

\*only available for square

NIS50rec SP002-UK  
March 2010

©2010 Lighting Science Group BV. All rights reserved.  
Specifications subject to change.



Lighting Science Group B.V.  
Amundsenweg 1  
4462 GP Goes  
The Netherlands  
Tel.: +31 113 272020  
www.lsgc.com  
customerserviceEU@lsgc.com