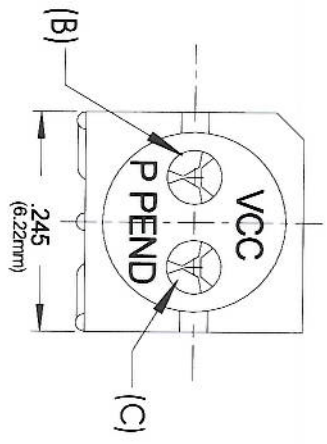
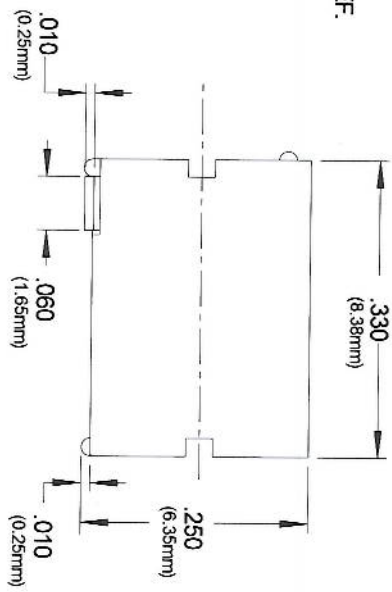
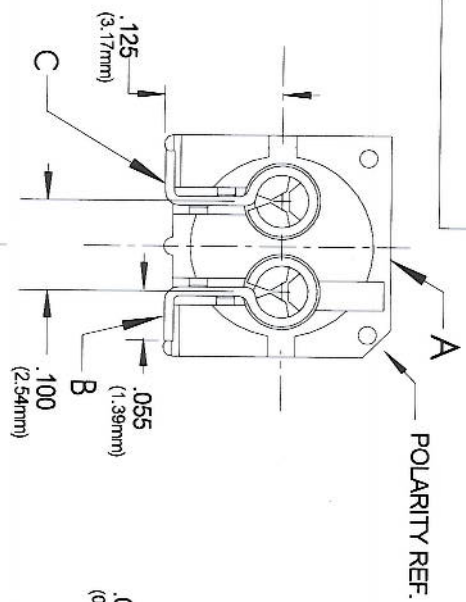




ACTUAL SIZE



SMD PAD PATTERN

NOTES:

Material:
Body Nylon 6/6, U. L. 94V-0 Rating
Color Black (unless otherwise spec.)
Contact Phosphor bronze, 60-40 tin plate

Mounting:

Socket mounts on .250" centers
Insert component leads thru the mounting pad end of the socket

Opto:

Standard visible, IR LED or photodetector with leads on .100" centers

LED Lead Dimensions:

Minimum .017 (.43mm) round or square shape
Maximum .030 (.76mm) thickness - .040 (1.02mm) width

U.S. & FOREIGN PAT. PEND.

BILL OF MATERIALS

ITEM	P/N	DESCRIPTION	COLOR	(QTY)
A	330 500	PCB Plastic Body	BLACK	(1)
B	330 170 LT	SMD Left Contact		(1)
C	330 170 RT	SMD Right Contact		(1)

TOLERANCES (EXCEPT AS NOTED)

DECIMAL	NO.	DESCRIPTION	DATE	BY	REVISIONS
±.010	1	Add BOM; Update Dwg Format	6/19/08	JDG	
ANGLE ± 30'	2				
DIAMETER .003 Max	3				
RADII .008 Max	4				
	5				

VCC P/N: P-C-LITE® SMD 330

Visual Communications Company, Inc.
190 Bossick Blvd. Ste. 101 San Marcos, California 92069 U.S.A.
Phone (760) 560-1300 Fax (760) 560-1307 e-mail vccsales@vccditte.com

DRAWN BY **JMS** SCALE **5 X** MATERIAL **SEE NOTES**

CHKD DATE **6/02/89** DRAWING NO. **SMD330A**

TRACED APPD DATE **6/02/89** REV **1**

APPROVAL *[Signature]* DATE **6/19/08**