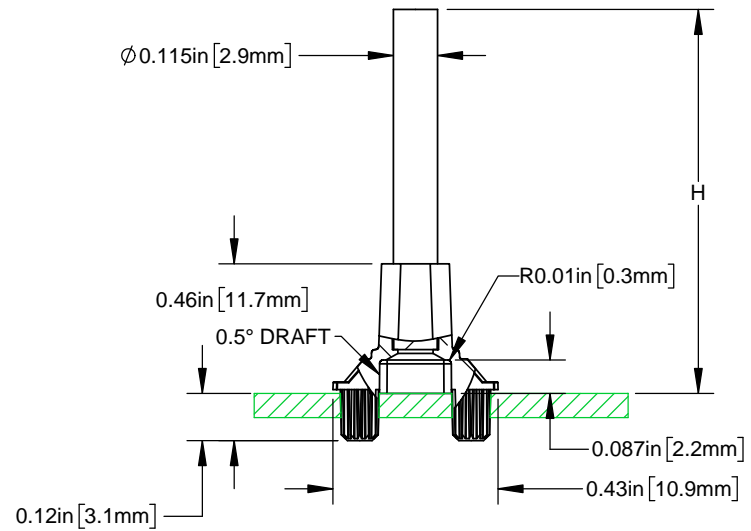
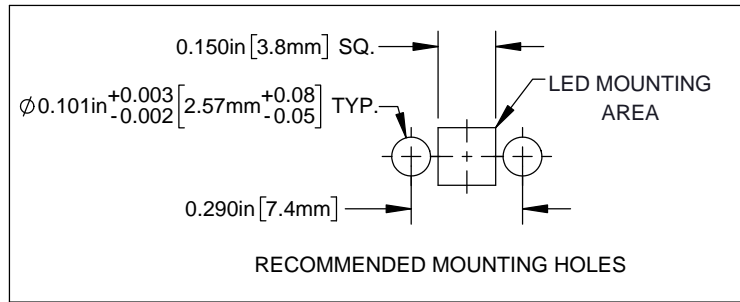
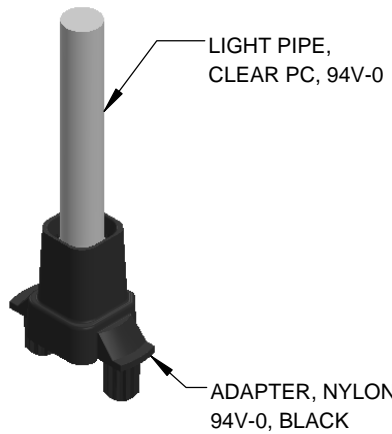
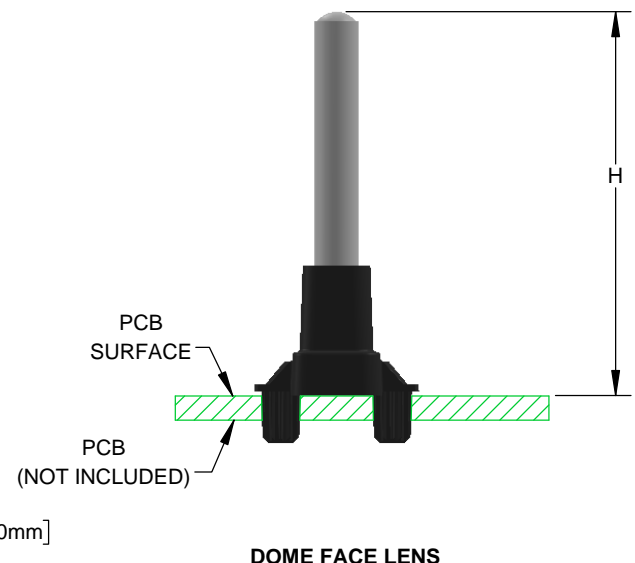
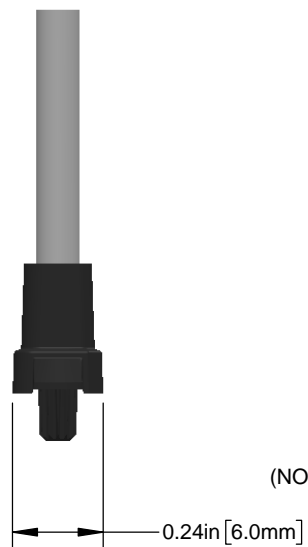
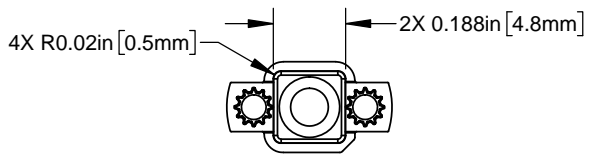


| REVISIONS |                     |           |          |
|-----------|---------------------|-----------|----------|
| REV.      | DESCRIPTION         | DATE      | APPROVED |
| A         | Engineering Release | 3/16/2018 | M.C.     |



**FLAT FACE LENS**

DIMENSIONS ARE APPLICABLE TO BOTH LENS FACES UNLESS OTHERWISE NOTED



**DOME FACE LENS**

PART NUMBER CONFIGURATION  
(SEE PAGE 2, TABLES A & B)  
LPV3-XXXXXP  
LENS FACE  
HEIGHT, (H)

|   |                   |  |                       |
|---|-------------------|--|-----------------------|
| STANDARD TOLERANCE (UNLESS OTHERWISE SPECIFIED) |                   | <br>4 THOMAS, IRVINE, CA. 92618<br>TEL: (949) 951-8808 FAX: (949) 951-3974 |                       |
| DECIMALS  | ANGULAR           |  |                       |
| .X ± .1   | X° ± 1°           | <b>TITLE:</b> BIVAR LIGHT PIPE SYSTEM, VERTICAL, 3MM, SINGLE STATION       |                       |
| .XX ± .01                                       |                   |  |                       |
| .XXX ± .005                                     |                   |  |                       |
| DESIGNED:<br>K. BARON                           | DATE:<br>03/16/18 | <b>PART NO.:</b><br>LPV3-XXXXXP  | REVISION:<br>A        |
| REVISED:<br>N/A                                 | DATE:<br>N/A      | <b>CAGE CODE:</b><br>32559   |                       |
| CHECKED:<br>TD. NGUYEN                          | DATE:<br>03/16/18 | <b>SCALE:</b> 2:1  | <b>SHEET # 1 OF 2</b> |

| REVISIONS |             |      |          |
|-----------|-------------|------|----------|
| REV.      | DESCRIPTION | DATE | APPROVED |
|           | See Sheet 1 |      |          |

**STANDARD ORDERING INFORMATION**

| TABLE A - FLAT FACE LENS |                |
|--------------------------|----------------|
| PART NO.                 | H ±.01         |
| LPV3-0350FP              | 0.350 [8.9mm]  |
| LPV3-0400FP              | 0.400 [10.2mm] |
| LPV3-0450FP              | 0.450 [11.4mm] |
| LPV3-0500FP              | 0.500 [12.7mm] |
| LPV3-0550FP              | 0.550 [14.0mm] |
| LPV3-0600FP              | 0.600 [15.2mm] |
| LPV3-0750FP              | 0.750 [19.1mm] |
| LPV3-1000FP              | 1.000 [25.4mm] |
| LPV3-1250FP              | 1.250 [31.8mm] |
| LPV3-1500FP              | 1.500 [38.1mm] |
| LPV3-1750FP              | 1.750 [44.5mm] |
| LPV3-2000FP              | 2.000 [50.8mm] |

| TABLE B - DOME FACE LENS |                |
|--------------------------|----------------|
| PART NO.                 | H ±.01         |
| LPV3-0350DP              | 0.350 [8.9mm]  |
| LPV3-0400DP              | 0.400 [10.2mm] |
| LPV3-0450DP              | 0.450 [11.4mm] |
| LPV3-0500DP              | 0.500 [12.7mm] |
| LPV3-0550DP              | 0.550 [14.0mm] |
| LPV3-0600DP              | 0.600 [15.2mm] |
| LPV3-0750DP              | 0.750 [19.1mm] |
| LPV3-1000DP              | 1.000 [25.4mm] |
| LPV3-1250DP              | 1.250 [31.8mm] |
| LPV3-1500DP              | 1.500 [38.1mm] |
| LPV3-1750DP              | 1.750 [44.5mm] |
| LPV3-2000DP              | 2.000 [50.8mm] |

|  |                |           |
|--|----------------|-----------|
| <b>BIVAR</b> <sup>®</sup>                      |                | REVISION: |
| PART NO:<br>LPV3-XXXXXP                        |                | A         |
| SCALE: N/A                                     | SHEET # 2 OF 2 |           |
| CAD GENERATED DOCUMENT, DO NOT MEASURE DRAWING |                |           |