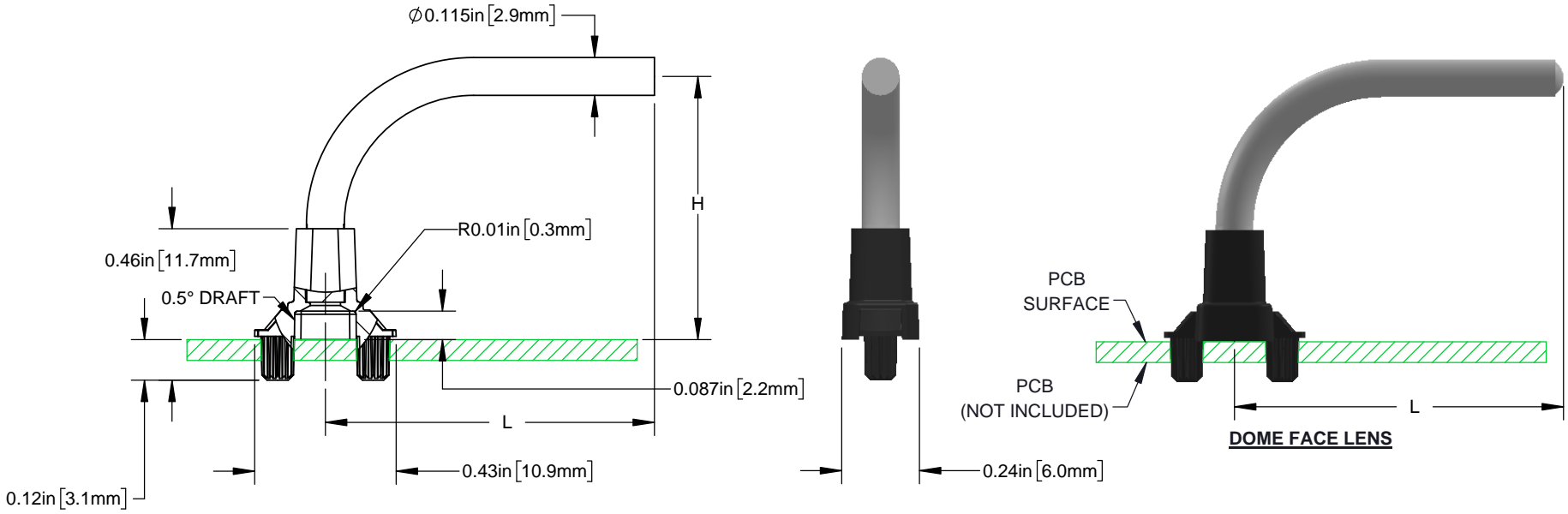
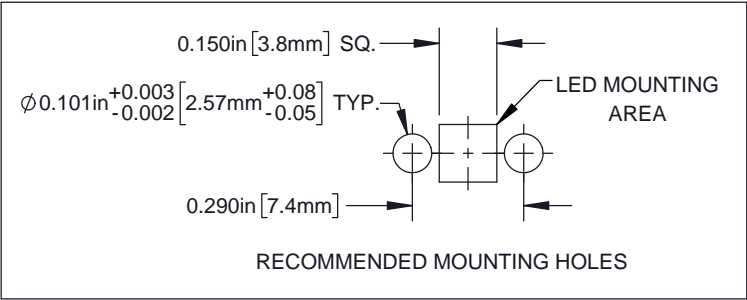
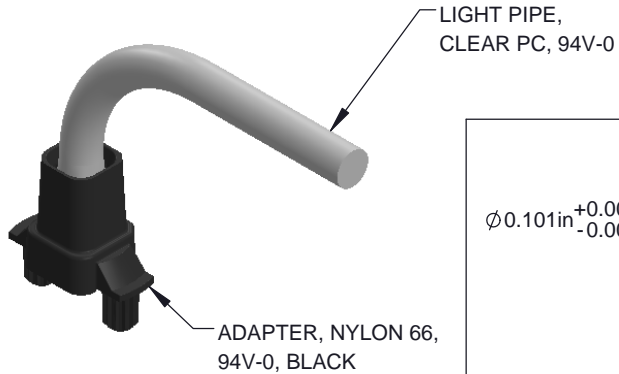
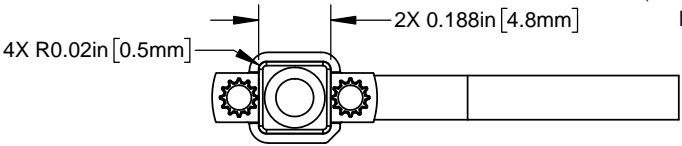


REVISIONS			
REV.	DESCRIPTION	DATE	APPROVED
B	Engineering Release	3/16/2018	M.C.



FLAT FACE LENS

DIMENSIONS ARE APPLICABLE TO BOTH LENS FACES UNLESS OTHERWISE NOTED



PART NUMBER CONFIGURATION
(SEE PAGE 2, TABLES A & B)
LPR3-XXXX-XXXXXP

LENS FACE
LENGTH, (L)
HEIGHT, (H)

STANDARD TOLERANCE (UNLESS OTHERWISE SPECIFIED)		 4 THOMAS, IRVINE, CA. 92618 TEL: (949) 951-8808 FAX: (949) 951-3974	
DECIMALS	ANGULAR		
.X ± .1	X° ± 1°		
.XX ± .01		TITLE: BIVAR LIGHT PIPE SYSTEM, RIGHT ANGLE, 3MM, SINGLE STATION	REVISION: B
.XXX ± .005			
DESIGNED: K. BARON	DATE: 03/16/18	CAGE CODE: 32559	SCALE: 2:1
REvised: N/A	DATE: N/A	SHEET # 1 OF 2	
CHECKED: TD. NGUYEN	DATE: 03/16/18	CAD GENERATED DOCUMENT, DO NOT MEASURE DRAWING	

REVISIONS			
REV.	DESCRIPTION	DATE	APPROVED
	See Sheet 1		

STANDARD ORDERING INFORMATION

TABLE A - FLAT FACE LENS		
PART NO.	H ±.01	L ±.01
LPR3-0800-0700FP	0.800 [20.3mm]	0.700 [17.8mm]
LPR3-0800-1000FP		1.000 [25.4mm]
LPR3-0800-1500FP		1.500 [38.1mm]
LPR3-0800-2000FP		2.000 [50.8mm]
LPR3-0800-2500FP		2.500 [63.5mm]
LPR3-0800-3000FP		3.000 [76.2mm]
LPR3-1000-0700FP	1.000 [25.4mm]	0.700 [17.8mm]
LPR3-1000-1000FP		1.000 [25.4mm]
LPR3-1000-1500FP		1.500 [38.1mm]
LPR3-1000-2000FP		2.000 [50.8mm]
LPR3-1000-2500FP		2.500 [63.5mm]
LPR3-1000-3000FP		3.000 [76.2mm]
LPR3-1250-0700FP	1.250 [31.8mm]	0.700 [17.8mm]
LPR3-1250-1000FP		1.000 [25.4mm]
LPR3-1250-1500FP		1.500 [38.1mm]
LPR3-1250-2000FP		2.000 [50.8mm]
LPR3-1250-2500FP		2.500 [63.5mm]
LPR3-1250-3000FP		3.000 [76.2mm]

TABLE B - DOME FACE LENS		
PART NO.	H ±.01	L ±.01
LPR3-0800-0700DP	0.800 [20.3mm]	0.700 [17.8mm]
LPR3-0800-1000DP		1.000 [25.4mm]
LPR3-0800-1500DP		1.500 [38.1mm]
LPR3-0800-2000DP		2.000 [50.8mm]
LPR3-0800-2500DP		2.500 [63.5mm]
LPR3-0800-3000DP		3.000 [76.2mm]
LPR3-1000-0700DP	1.000 [25.4mm]	0.700 [17.8mm]
LPR3-1000-1000DP		1.000 [25.4mm]
LPR3-1000-1500DP		1.500 [38.1mm]
LPR3-1000-2000DP		2.000 [50.8mm]
LPR3-1000-2500DP		2.500 [63.5mm]
LPR3-1000-3000DP		3.000 [76.2mm]
LPR3-1250-0700DP	1.250 [31.8mm]	0.700 [17.8mm]
LPR3-1250-1000DP		1.000 [25.4mm]
LPR3-1250-1500DP		1.500 [38.1mm]
LPR3-1250-2000DP		2.000 [50.8mm]
LPR3-1250-2500DP		2.500 [63.5mm]
LPR3-1250-3000DP		3.000 [76.2mm]

BIVAR [®]		REVISION:
PART NO: LPR3-XXXX-XXXXXP		B
SCALE: N/A	SHEET # 2 OF 2	
CAD GENERATED DOCUMENT, DO NOT MEASURE DRAWING		